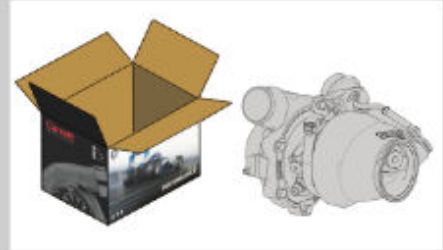


Turbo PN

Internally wastegated options fully assembled and calibrated by Garrett. Gasket kit included. Models: G25-550, G25-660, GT2252, GT2554R, GT2560R, GT2860R, GT2860RS, GT2871R



Assembly Kit PN

Externally wastegated options include super core and turbine housing kit in separate boxes. Gasket kit included. Tools and assembly required to connect the super core to the turbine housing. Models: Gen II GTX28, GTX30, GTX35, G25-550, G25-660



Super Core PN

Super Core refers to a center housing rotating assembly with compressor housing attached. Gasket kit included. Turbine housing kit purchased separately. Models: GT30, GT35, GTW34, GTW36, GTW38, GTX40, GTX42, GTX45, GTX47, GTX50, GTX55



Turbine Kit PN

Individually packaged exhaust housings. Connections and size vary between models. Gasket kit included. Reverse Rotation housings not interchangeable with standard rotation. GT and GTX housings are interchangeable within frame family. (e.g., GT30 - GTX30). G Series housings are NOT interchangeable with GT, GTX, GTW. GTW housings are NOT interchangeable with GT, GTX, G Series. Some options may require modifications to the exhaust system to fit.



Note: Ask your supplier for Speed Sensor Kit Installation Instruction.

GARRETT® G25-550

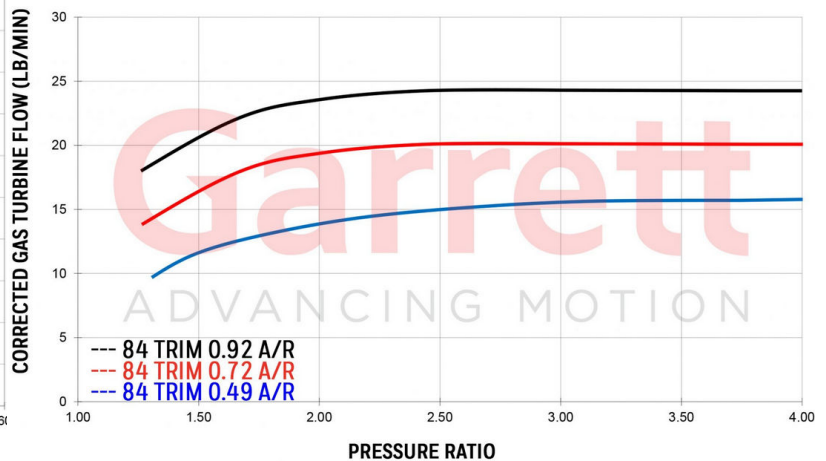
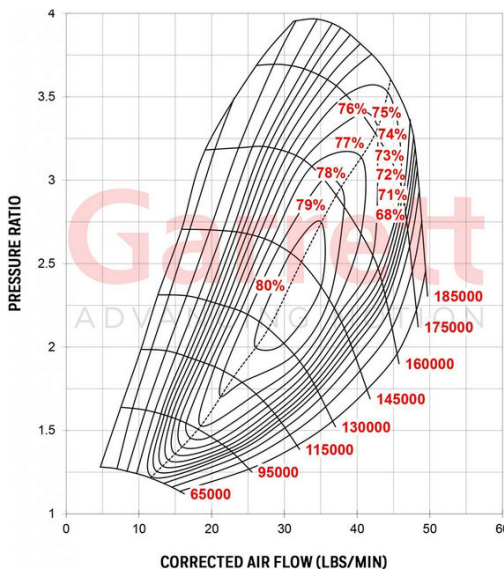
Horsepower: 300 - 550 | Displacement: 1.4L - 3.0L

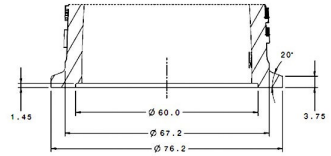
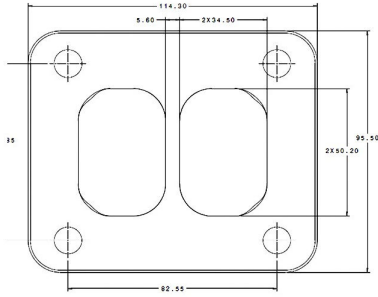
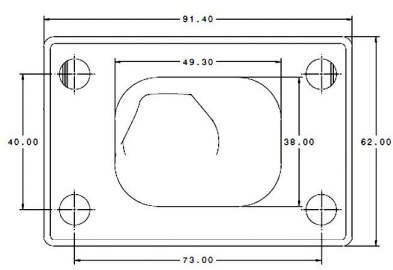


Features

- GARRETT® G SERIES COMPRESSOR AERODYNAMICS FOR MAXIMUM HP
- FULLY MACHINED SPEED SENSOR AND PRESSURE PORTS
- NEW TURBINE WHEEL AERO CONSTRUCTED OF MAR-M ALLOY RATED FOR 1055°C
- STAINLESS STEEL WASTEGATED AND NON WASTEGATED TURBINE HOUSING OPTION CAPABLE OF 1050°C
- OIL RESTRICTOR AND WATER FITTINGS INCLUDED

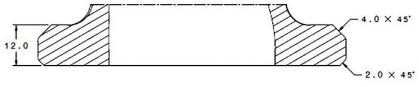
G25-550	Compressor				Turbine		
	Inducer	Exducer	Trim	A/R	Inducer	Exducer	Trim
	48mm	60mm	65	.70	54mm	49mm	84
Standard Rotation	Assembly Kit PN		A/R	Inlet	Outlet	Wastegate	Divided
Assembly Kit Includes Super Core and Turbine Kit	871389-5004S		0.72	V-Band	V-Band	Free Float	N
	871389-5005S		0.92	V-Band	V-Band	Free Float	N
Reverse Rotation	Assembly Kit PN		A/R	Inlet	Outlet	Wastegate	Divided
Assembly Kit Includes Super Core and Turbine Kit	871390-5004S		0.72	V-Band	V-Band	Free Float	N
	871390-5005S		0.92	V-Band	V-Band	Free Float	N
Standard Rotation	Turbo PN		A/R	Inlet	Outlet	Wastegate	Divided
Turbo PN assembled and calibrated by Garrett® with 1.0 bar actuator (14.7PSI).	877895-5001S		0.49	T25	V-Band	Yes	N
	877895-5003S		0.72	V-Band	V-Band	Yes	N
	877895-5004S		0.92	V-Band	V-Band	Yes	N
	877895-5011S		0.92	T4	V-Band	Yes	Y
Reverse Rotation	Turbo PN		A/R	Inlet	Outlet	Wastegate	Divided
Turbo PN assembled and calibrated by Garrett® with 1.0 bar actuator (14.7PSI).	877895-5007S		0.72	V-Band	V-Band	Yes	N
	877895-5008S		0.92	V-Band	V-Band	Yes	N
	877895-5013S		0.92	T4	V-Band	Yes	Y



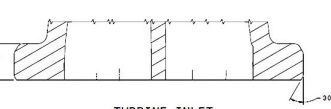


TURBINE OUTLET
V-BAND CONNECTIONS

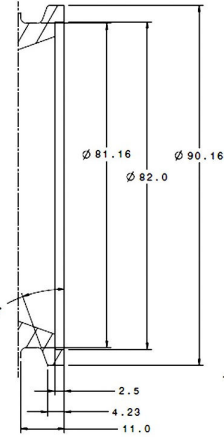
TURBINE INLET
V-BAND CONNECTIONS



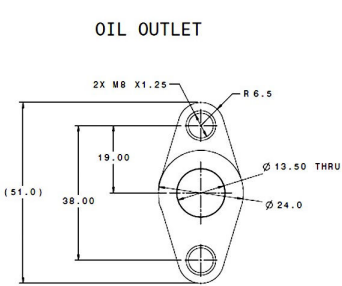
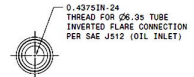
TURBINE INLET
T25 BOLTED CONNECTIONS



TURBINE INLET
T4 BOLTED CONNECTIONS

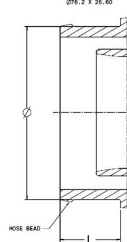


OIL INLET
-4AN FITTING CONNECTION

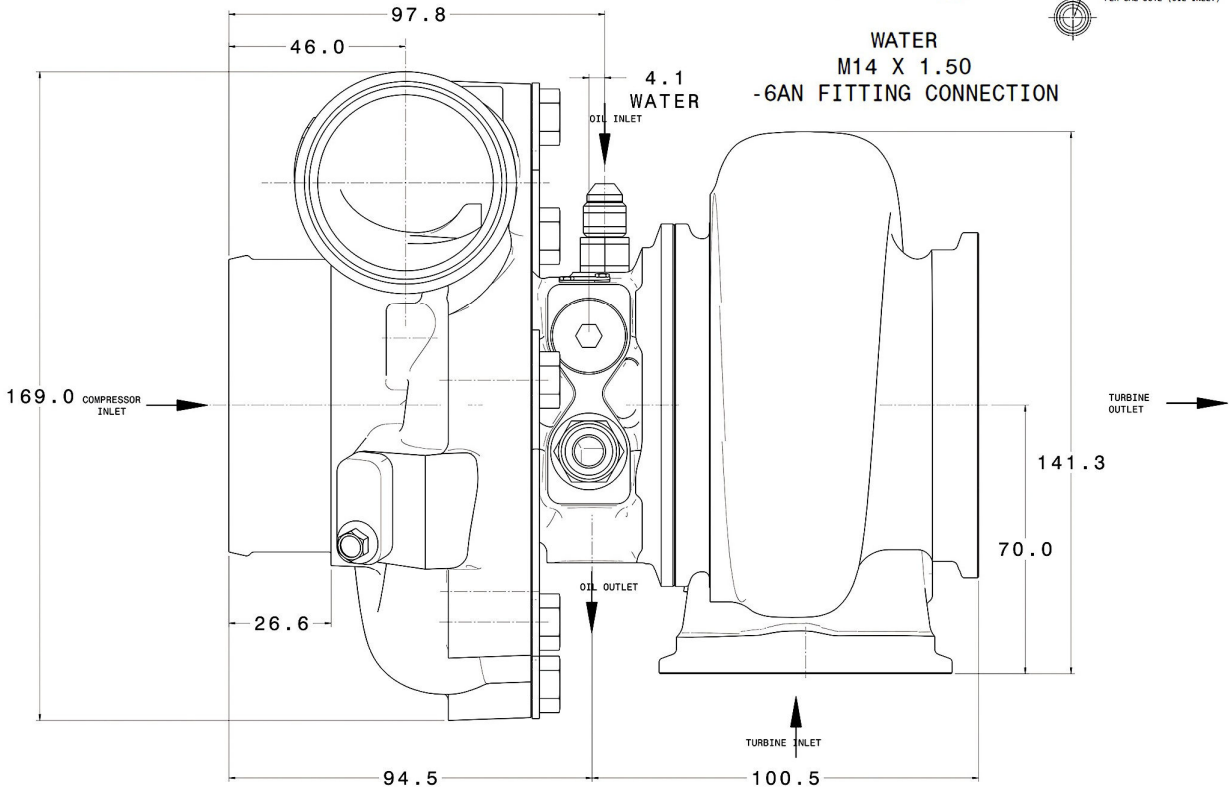
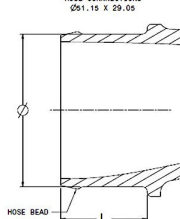


OIL OUTLET

COMPRESSOR INLET
HOSE CONNECTIONS
Ø16.2 X 26.60



COMPRESSOR OUTLET
HOSE CONNECTIONS
Ø11.15 X 29.05



WATER
M14 X 1.50
-6AN FITTING CONNECTION

GARRETT® G25-660

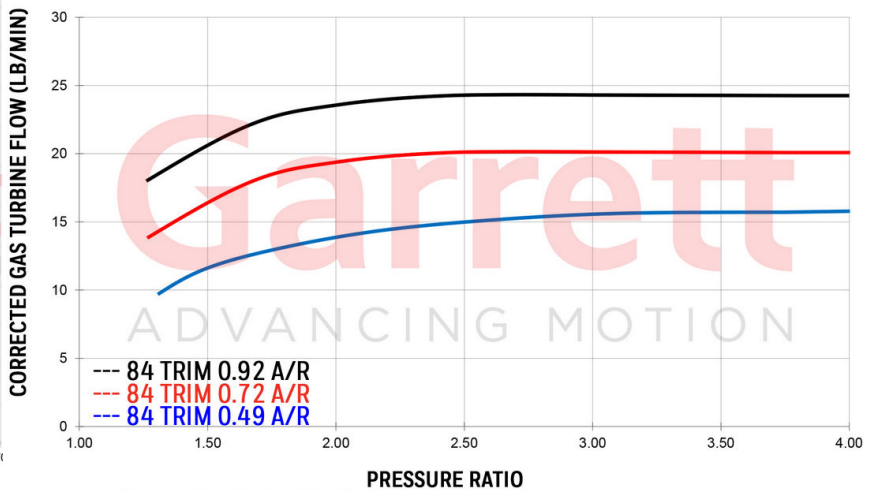
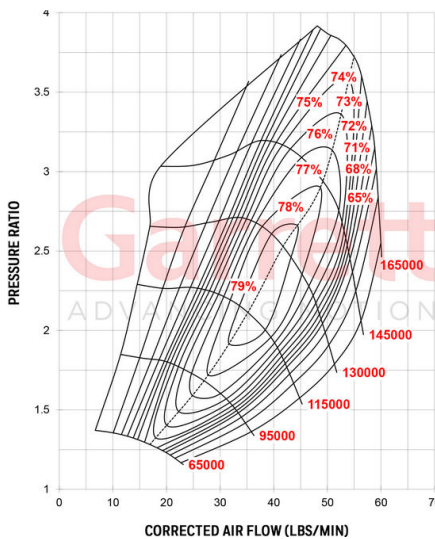
Horsepower: 350 - 660 | Displacement: 1.4L - 3.0L

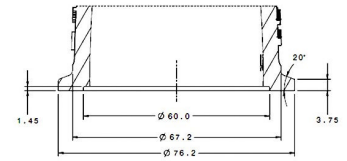
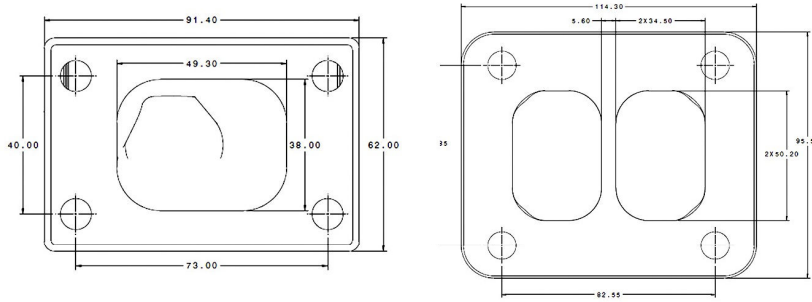


Features

- GARRETT® G SERIES COMPRESSOR AERODYNAMICS FOR MAXIMUM HP
- FULLY MACHINED SPEED SENSOR AND PRESSURE PORTS
- NEW TURBINE WHEEL AERO CONSTRUCTED OF MAR-M ALLOY RATED FOR 1055°C
- STAINLESS STEEL WASTEGATED AND NON WASTEGATED TURBINE HOUSING OPTION CAPABLE OF 1050°C
- OIL RESTRICTOR AND WATER FITTINGS INCLUDED

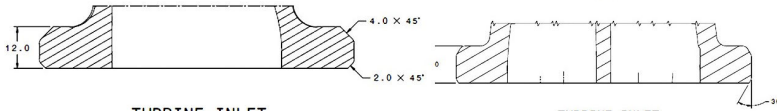
G25-660	Compressor				Turbine		
	Inducer	Exducer	Trim	A/R	Inducer	Exducer	Trim
	54mm	67mm	65	0.70	54mm	49mm	84
Standard Rotation	Assembly Kit PN		A/R	Inlet	Outlet	Wastegate	Divided
Assembly Kit Includes Super Core and Turbine Kit	871389-5010S		0.72	V-Band	V-Band	Free Float	N
	871389-5011S		0.92	V-Band	V-Band	Free Float	N
Reverse Rotation	Assembly Kit PN		A/R	Inlet	Outlet	Wastegate	Divided
Assembly Kit Includes Super Core and Turbine Kit	871390-5010S		0.72	V-Band	V-Band	Free Float	N
	871390-5011S		0.92	V-Band	V-Band	Free Float	N
Standard Rotation	Turbo PN		A/R	Inlet	Outlet	Wastegate	Divided
Turbo PN assembled and calibrated by Garrett® with 1.0 bar actuator (14.7PSI).	877895-5002S		0.49	T25	V-Band	Yes	N
	877895-5005S		0.72	V-Band	V-Band	Yes	N
	877895-5006S		0.92	V-Band	V-Band	Yes	N
	877895-5012S		0.92	T4	V-Band	Yes	Y
Reverse Rotation	Turbo PN		A/R	Inlet	Outlet	Wastegate	Divided
Turbo PN assembled and calibrated by Garrett® with 1.0 bar actuator (14.7PSI).	877895-5009S		0.72	V-Band	V-Band	Yes	N
	877895-5010S		0.92	V-Band	V-Band	Yes	N
	877895-5014S		0.92	T4	V-Band	Yes	Y





TURBINE OUTLET
V-BAND CONNECTIONS

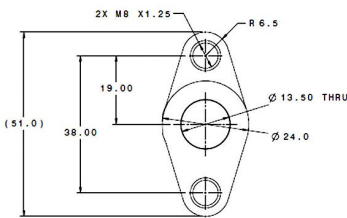
TURBINE INLET
V-BAND CONNECTIONS



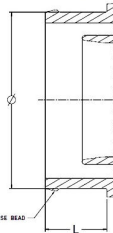
TURBINE INLET
T25 BOLTED CONNECTIONS

TURBINE INLET
T4 BOLTED CONNECTIONS

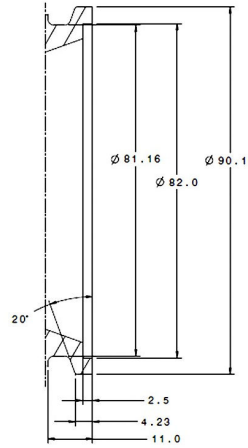
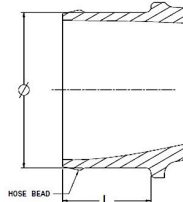
OIL OUTLET



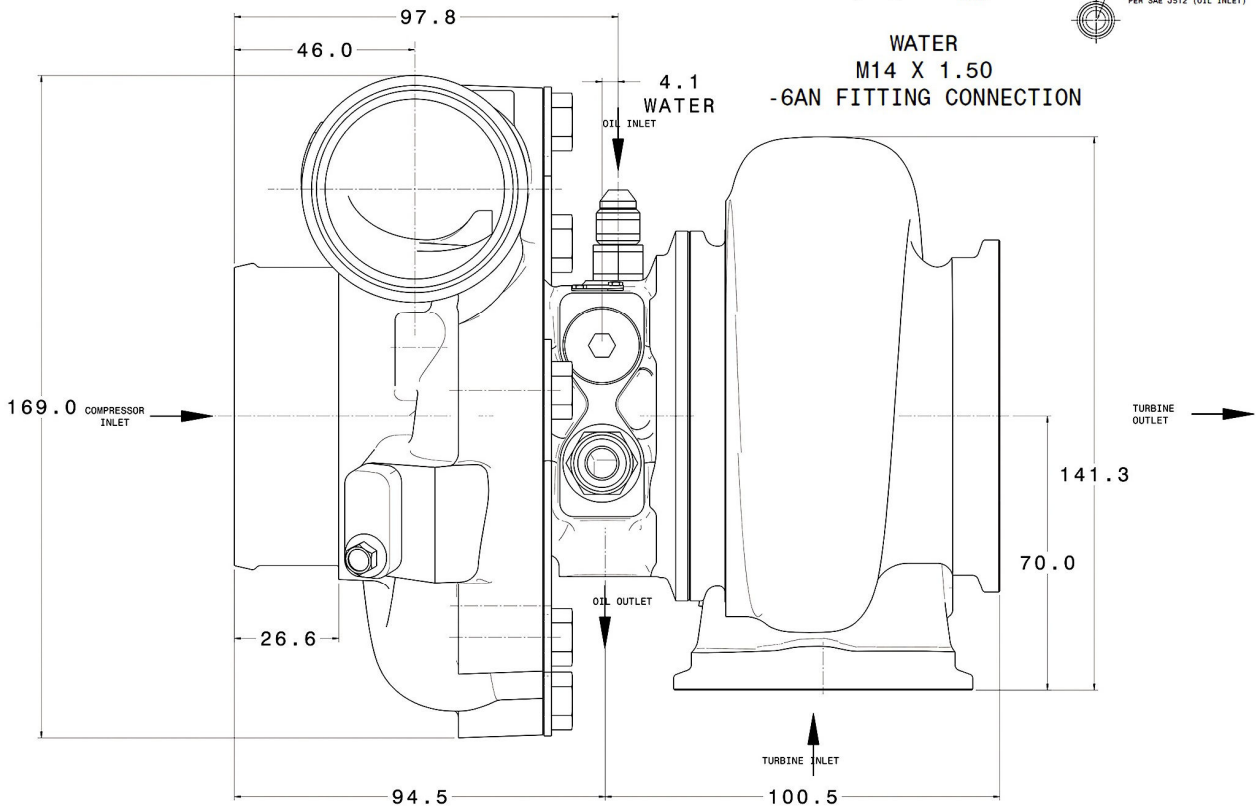
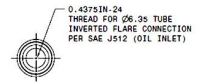
COMPRESSOR INLET
HOSE CONNECTIONS
Ø76.2 X 26.65



COMPRESSOR OUTLET
HOSE CONNECTIONS
Ø51.15 X 29.05



OIL INLET
-4AN FITTING CONNECTION



GT2554R Turbocharger

Horsepower: 170 - 270 | Displacement: 1.4L - 2.2L

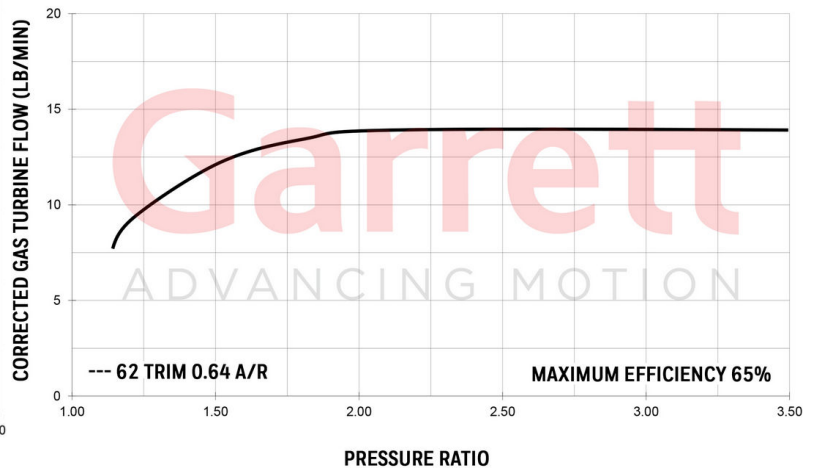
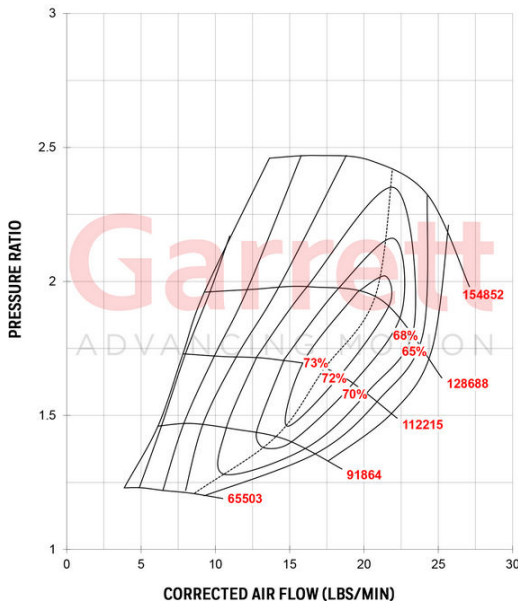


Features

- ORIGINAL GT SERIES AERODYNAMICS
- INTERNALLY WASTEGATED TURBINE HOUSING
- SOLD AS A COMPLETE TURBO (INCLUDES TURBINE KIT & ACTUATOR)
- SMALLEST BALL BEARING CONFIGURATION AVAILABLE
- WATER COOLED CHRA

Turbocharger Part Number Chart

Turbo Reference Data		Compressor				Turbine			
Turbo PN	CHRA	Inducer	Exducer	Trim	A/R	Inducer	Exducer	Trim	A/R
836023-5001S	835995-0001	42mm	54mm	60	0.80	53mm	42mm	62	0.64

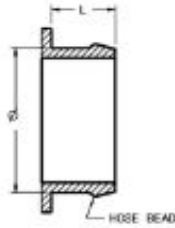


Garrett

ADVANCING MOTION

Compressor Inlet

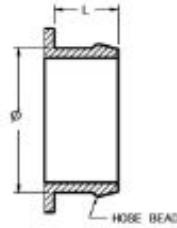
HOSE CONNECTIONS
TABULATED AS (\varnothing x L)



\varnothing 60 x 25

Compressor Outlet

HOSE CONNECTIONS
TABULATED AS (\varnothing x L)



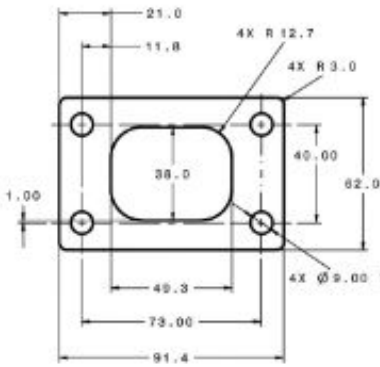
\varnothing 50 x 25

Oil Inlet

Available with
M10 x 1.0 (F)
or
M10 x 1.0 (M)

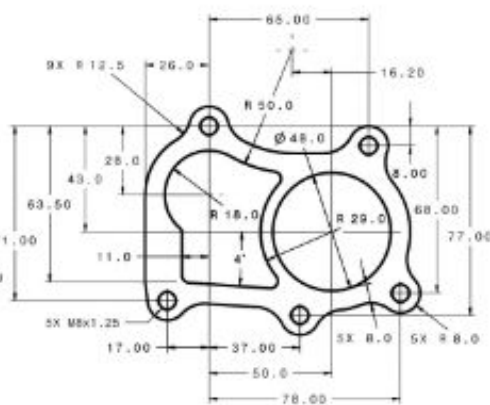
Turbine Inlet

"T25"

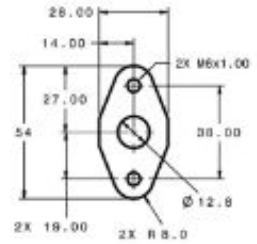


Turbine Outlet

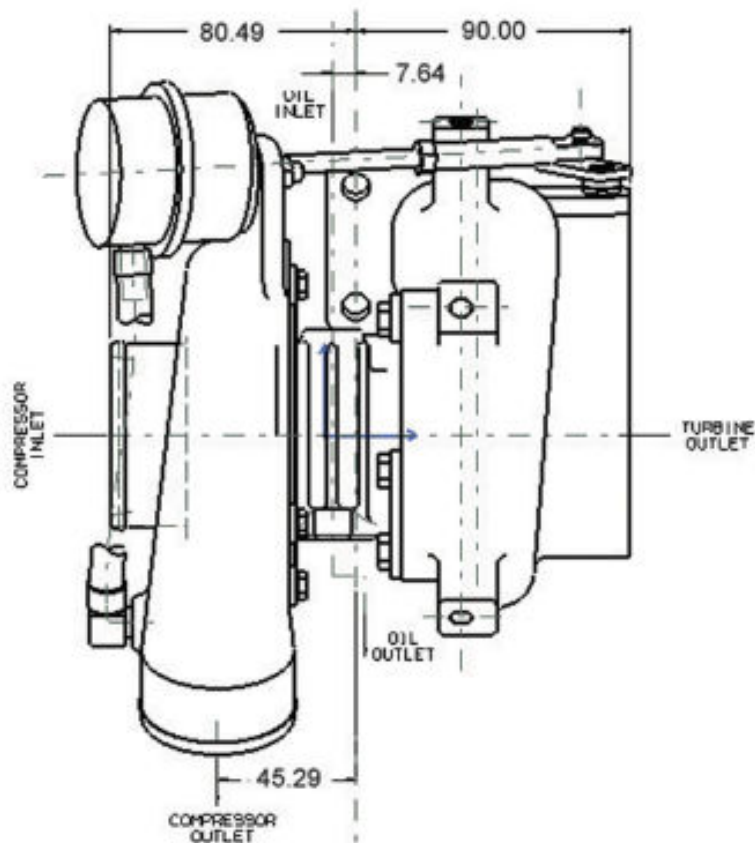
"5 BOLT"



Oil Outlet



Water
Not Applicable



GT2560R Turbocharger

Horsepower: 170 - 270 | Displacement: 1.4L - 2.2L

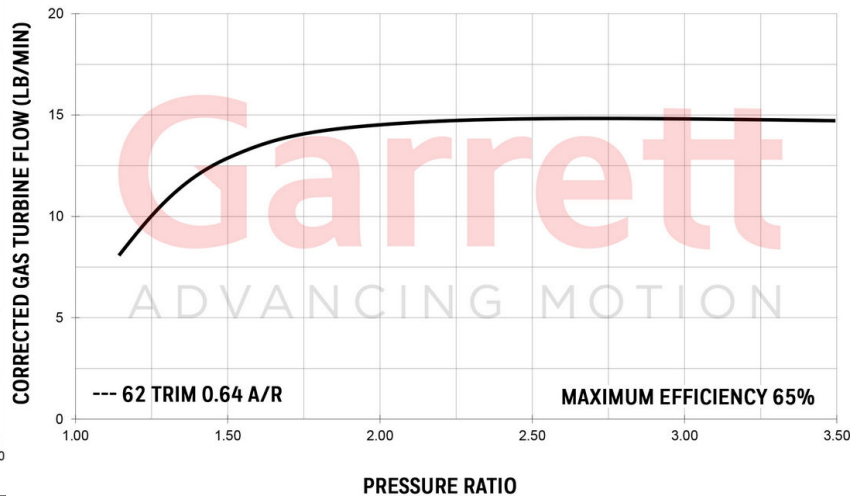
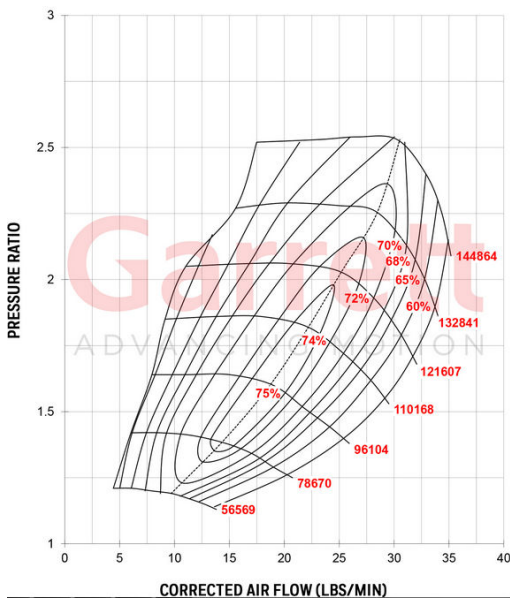


Features

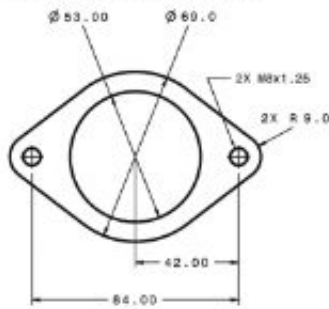
- ORIGINAL GT SERIES AERODYNAMICS
- INTERNALLY WASTEGATED TURBINE HOUSING
- SOLD AS A COMPLETE TURBO (INCLUDES TURBINE KIT & ACTUATOR)
- BALL BEARING CONFIGURATION WITH WATER COOLED CHRA

Turbocharger Part Number Chart

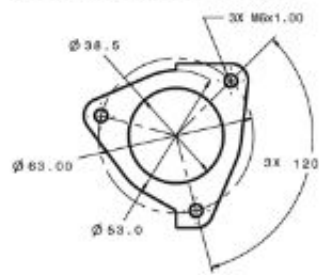
Turbo Reference Data		Compressor				Turbine			
Turbo PN	CHRA	Inducer	Exducer	Trim	A/R	Inducer	Exducer	Trim	A/R
836023-5004S	835995-0003	46mm	60mm	60	0.80	53mm	42mm	62	0.64



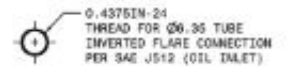
Compressor Inlet



Compressor Outlet

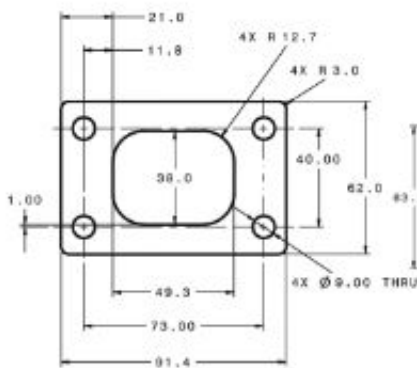


Oil Inlet



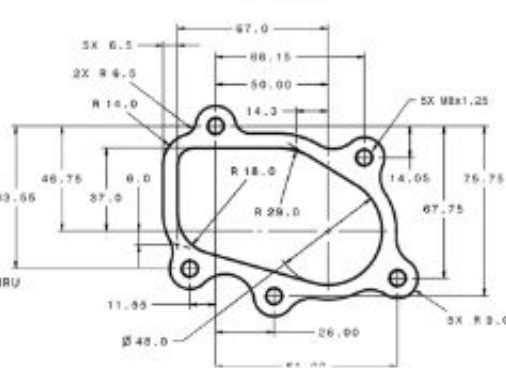
Turbine Inlet

"T25"

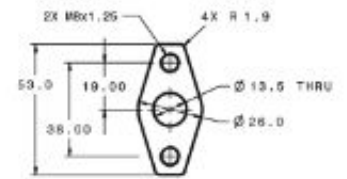


Turbine Outlet

"5 BOLT"

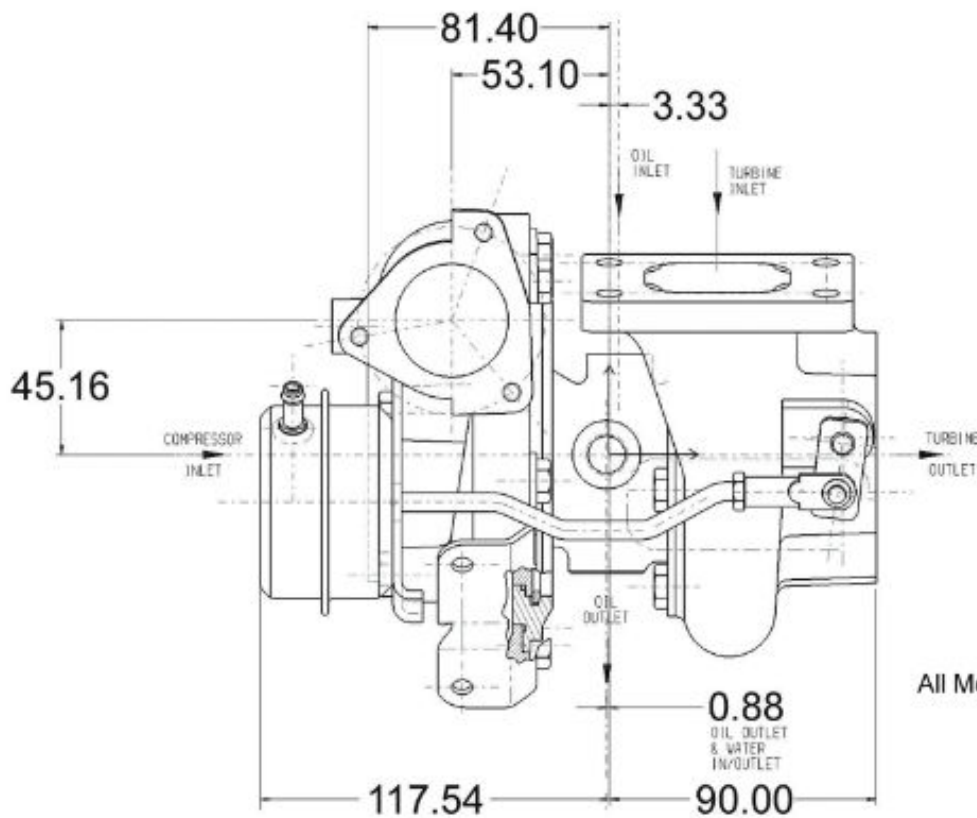


Oil Outlet



Water

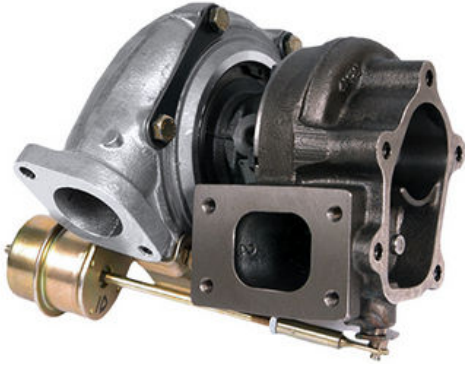
M14 x 1.50



All Measurements in MM

GT2860R Turbocharger

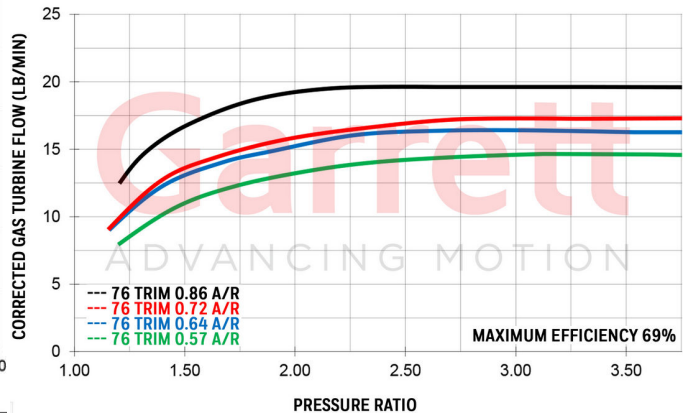
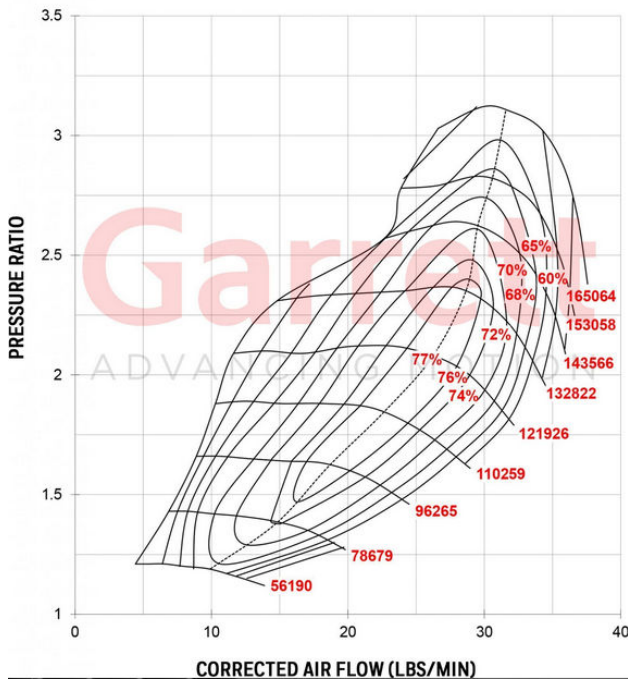
Horsepower: 250 - 360 | Displacement: 1.8L - 3.0L



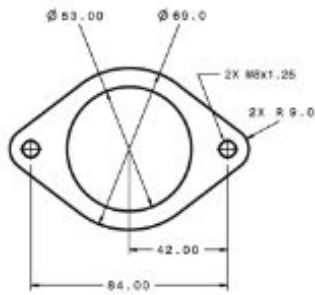
Features

- ORIGINAL GT SERIES AERODYNAMICS
- INTERNALLY WASTEGATED TURBINE HOUSING
- SOLD AS A COMPLETE TURBO (INCLUDES TURBINE KIT & ACTUATOR)
- BALL BEARING CONFIGURATION WITH WATER COOLED CHRA
- V-BAND TURBINE HOUSING OPTIONS
- BOLT-ON UPGRADE FOR NISSAN RB26DETT

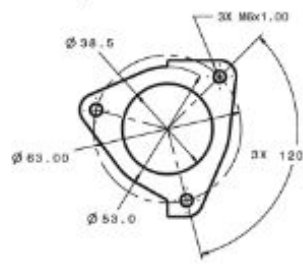
Turbo Reference Data		Compressor				Turbine					
Turbo PN	CHRA PN	Inducer	Exducer	Trim	A/R	Inducer	Exducer	Trim	A/R		
836026-5005S	835998-0006	47mm	60mm	62	0.60	54mm	47mm	76	0.64		
Notes:					Turbine Kit PN	A/R	Inlet	Outlet	Wastegate	Divided	Trim
Additional Turbine Housing Options <i>(Additional housings are not directly interchangeable and will require modifications to the exhaust to be fitted)</i>					827690-0005	0.64	T25	5-Bolt	Wastegated	N	76
					827690-0004	0.86	T25	5-Bolt	Wastegated	N	76
					827690-0001	0.57	V-Band	V-Band	Free Float	N	76
					827690-0002	0.72	V-Band	V-Band	Free Float	N	76



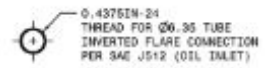
Compressor Inlet



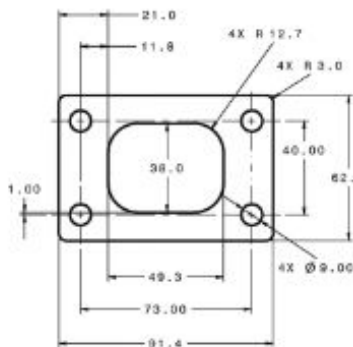
Compressor Outlet



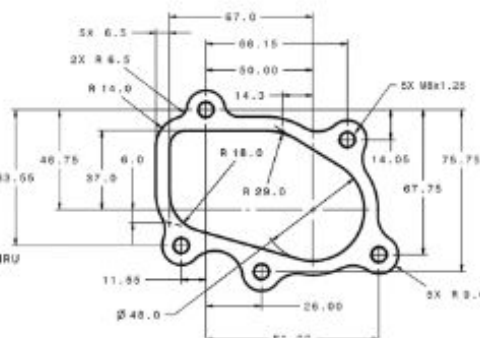
Oil Inlet



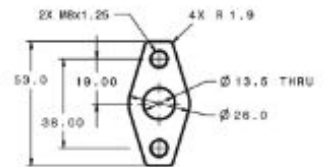
Turbine Inlet
"T25"



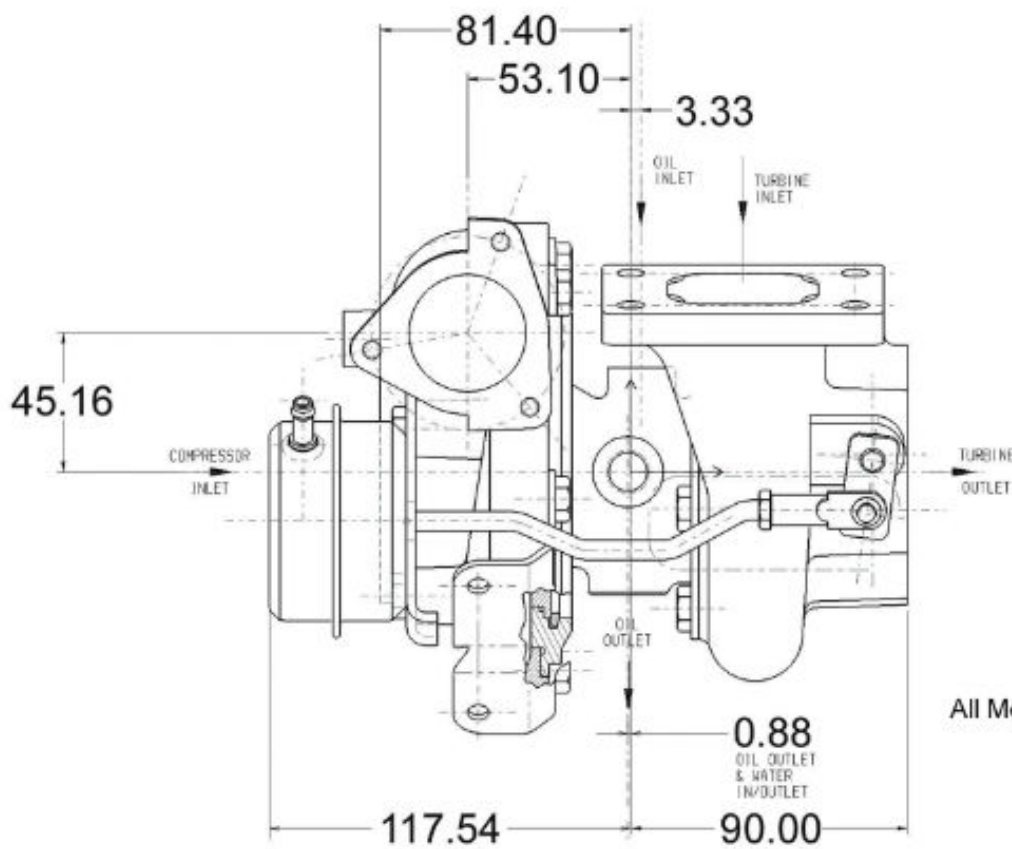
Turbine Outlet
"5 BOLT"



Oil Outlet



Water
M14 x 1.50



All Measurements in MM

GT2860RS Turbocharger

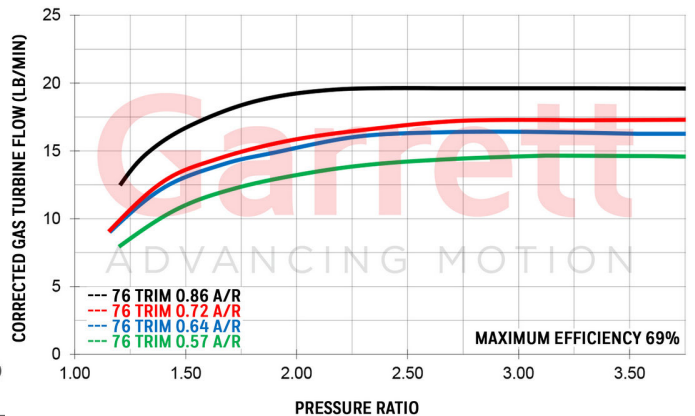
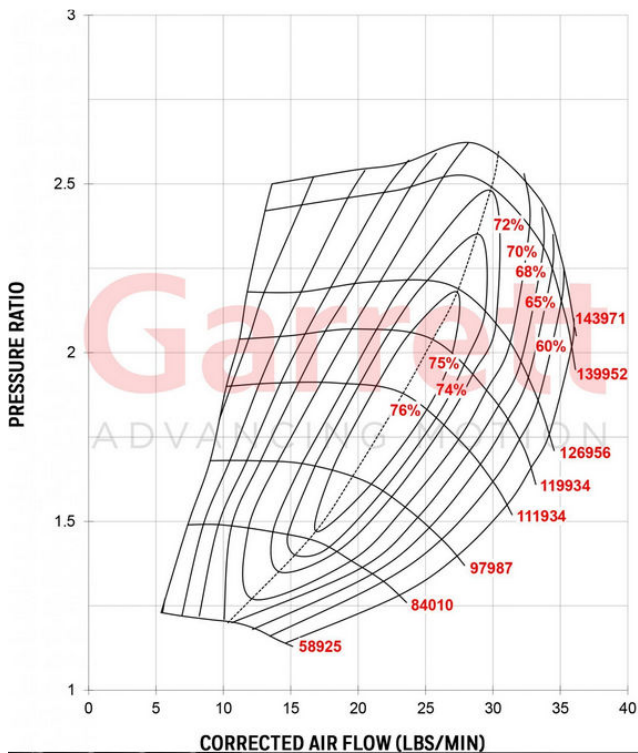
Horsepower: 250 - 360 | Displacement: 1.8L - 3.0L



Features

- ORIGINAL GT SERIES AERODYNAMICS
- INTERNALLY WASTEGATED TURBINE HOUSING
- SOLD AS A COMPLETE TURBO (INCLUDES TURBINE KIT & ACTUATOR)
- BALL BEARING CONFIGURATION WITH WATER COOLED CHRA
- V-BAND TURBINE HOUSING OPTIONS

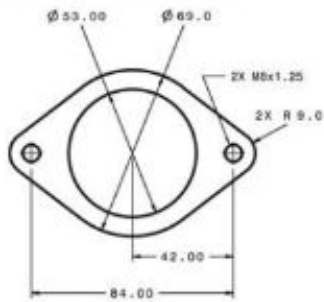
Turbo Reference Data		Compressor				Turbine			
Turbo PN	CHRA PN	Inducer	Exducer	Trim	A/R	Inducer	Exducer	Trim	A/R
836026-5013S	835998-0007	47mm	60mm	62	0.60	54mm	47mm	76	0.86
836026-5014S	835998-0007	47mm	60mm	62	0.60	54mm	47mm	76	0.64
Notes:		Turbine Kit PN	A/R	Inlet	Outlet	Wastegate	Divided	Trim	
Additional Turbine Housing Options		827690-0005	0.64	T25	5-Bolt	Wastegated	N	76	
		827690-0004	0.86	T25	5-Bolt	Wastegated	N	76	
		827690-0001	0.57	V-Band	V-Band	Free Float	N	76	
		827690-0002	0.72	V-Band	V-Band	Free Float	N	76	



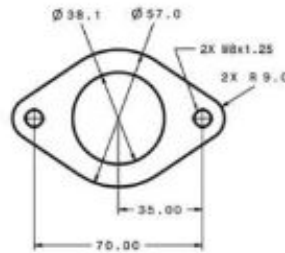
Garrett

ADVANCING MOTION

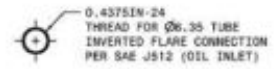
02 Compressor Inlet



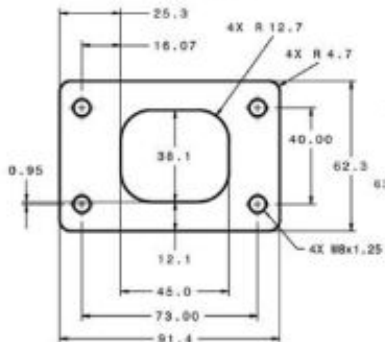
01 Compressor Outlet



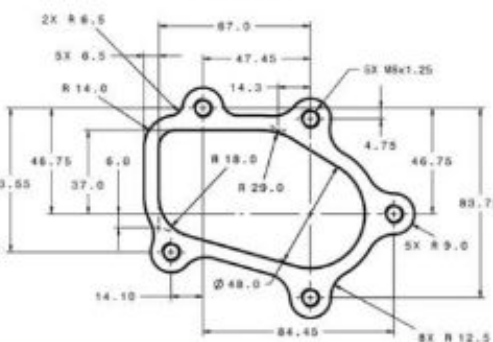
11 Oil Inlet



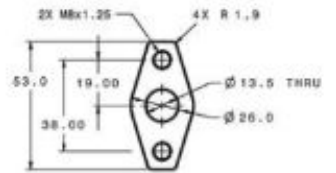
02 Turbine Inlet
"T25 WITH STUDS"



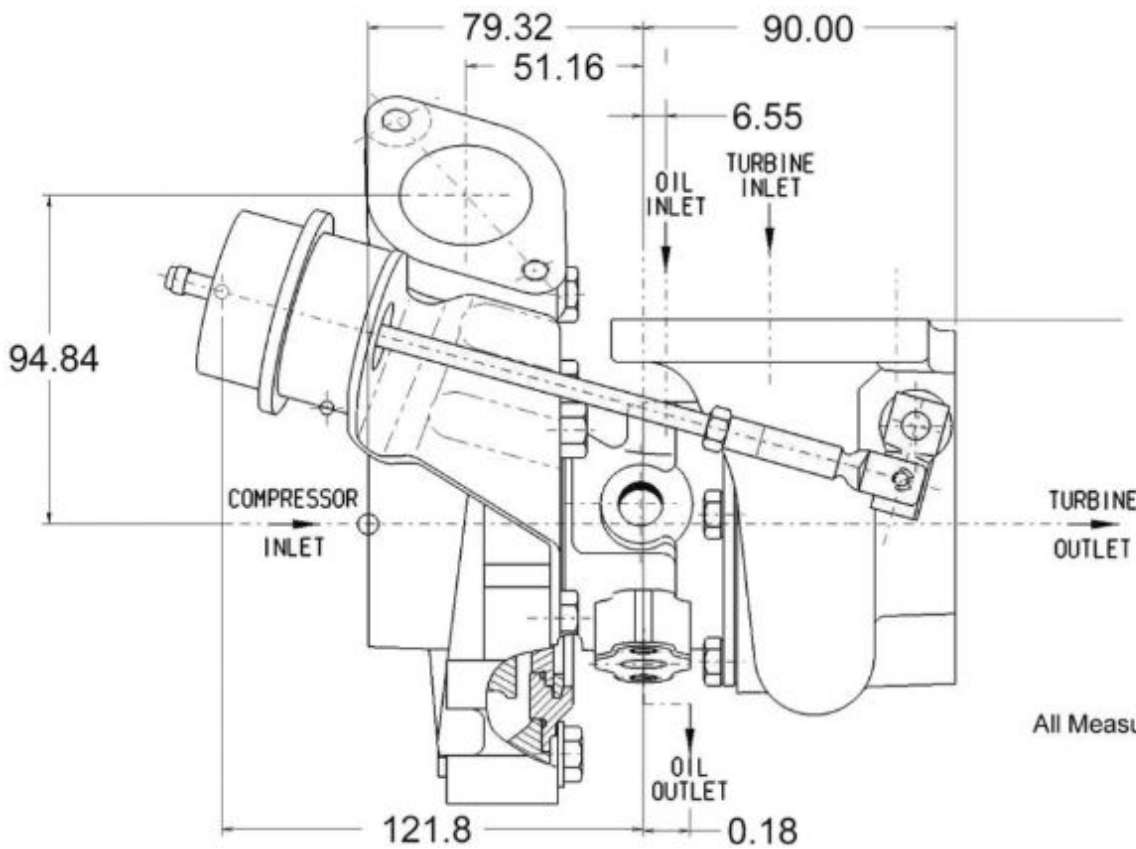
09 Turbine Outlet
"5 BOLT"



18 Oil Outlet



13 Water
M14 x 1.50



All Measurements in MM

GT2871R Turbocharger

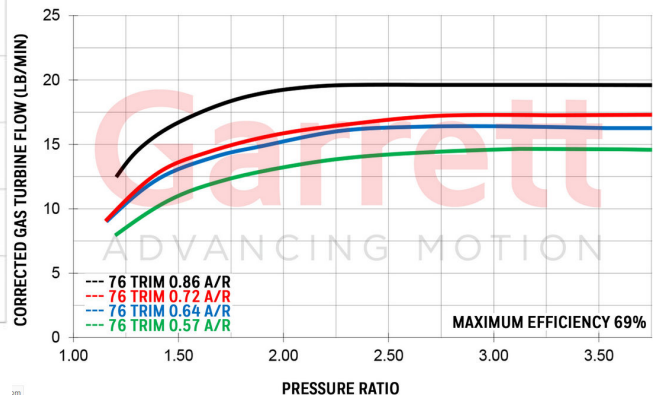
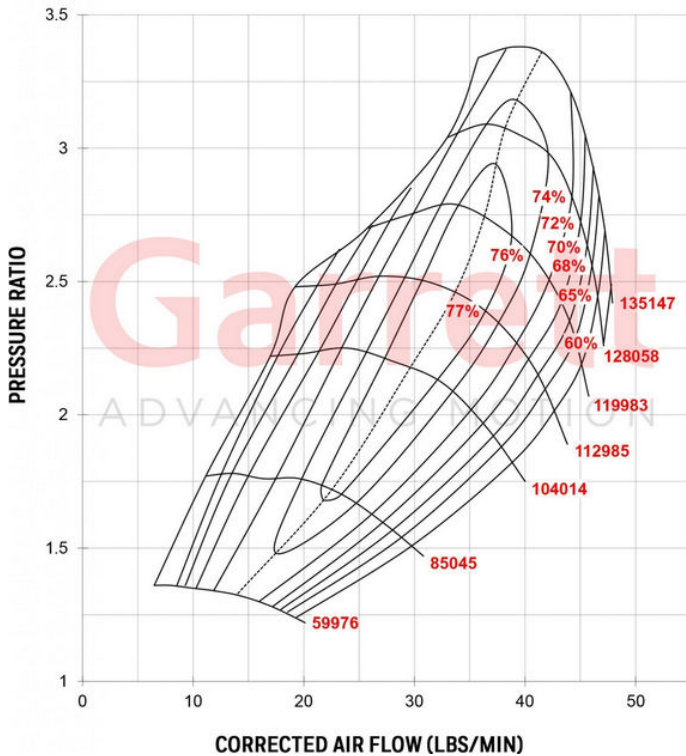
Horsepower: 280 - 475 | Displacement: 1.8L - 3.0L



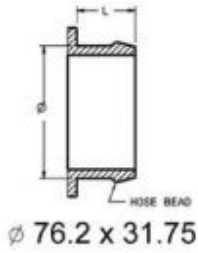
Features

- ORIGINAL GT SERIES AERODYNAMICS
- INTERNALLY WASTEGATED TURBINE HOUSING OPTIONS
- NON WASTEGATED TURBINE HOUSINGS AVAILABLE
- SOLD AS A COMPLETE TURBO (INCLUDES TURBINE KIT & ACTUATOR)
- BALL BEARING CONFIGURATION WITH WATER COOLED CHRA
- V-BAND TURBINE HOUSING OPTIONS

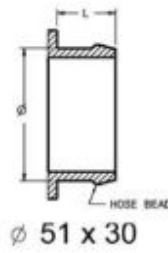
Turbo Reference Data		Compressor				Turbine			
Turbo PN	CHRA PN	Inducer	Exducer	Trim	A/R	Inducer	Exducer	Trim	A/R
836026-5020S	835998-0010	53mm	71mm	56	0.60	54mm	47mm	76	0.86
836026-5021S	835998-0010	53mm	71mm	56	0.60	54mm	47mm	76	0.64
Notes:		Turbine Kit PN	A/R	Inlet	Outlet	Wastegate	Divided	Trim	A/R
Additional Turbine Housing Options			827690-0005	0.64	T25	5-Bolt	Wastegated	N	76
			827690-0004	0.86	T25	5-Bolt	Wastegated	N	76
			827690-0001	0.57	V-Band	V-Band	Free Float	N	76
			827690-0002	0.72	V-Band	V-Band	Free Float	N	76



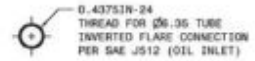
28 Compressor Inlet
HOSE CONNECTIONS
TABULATED AS (Ø x L)



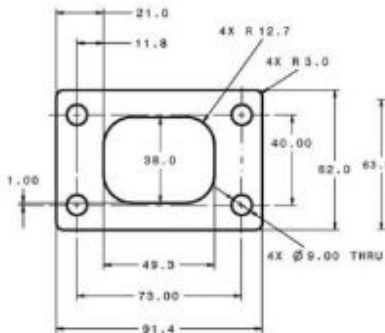
19 Compressor Outlet
HOSE CONNECTIONS
TABULATED AS (Ø x L)



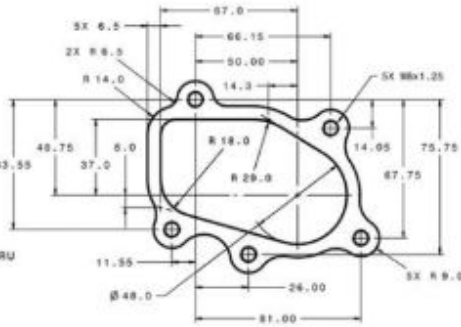
11 Oil Inlet



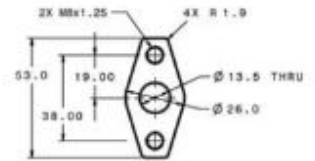
01 Turbine Inlet
"T25"



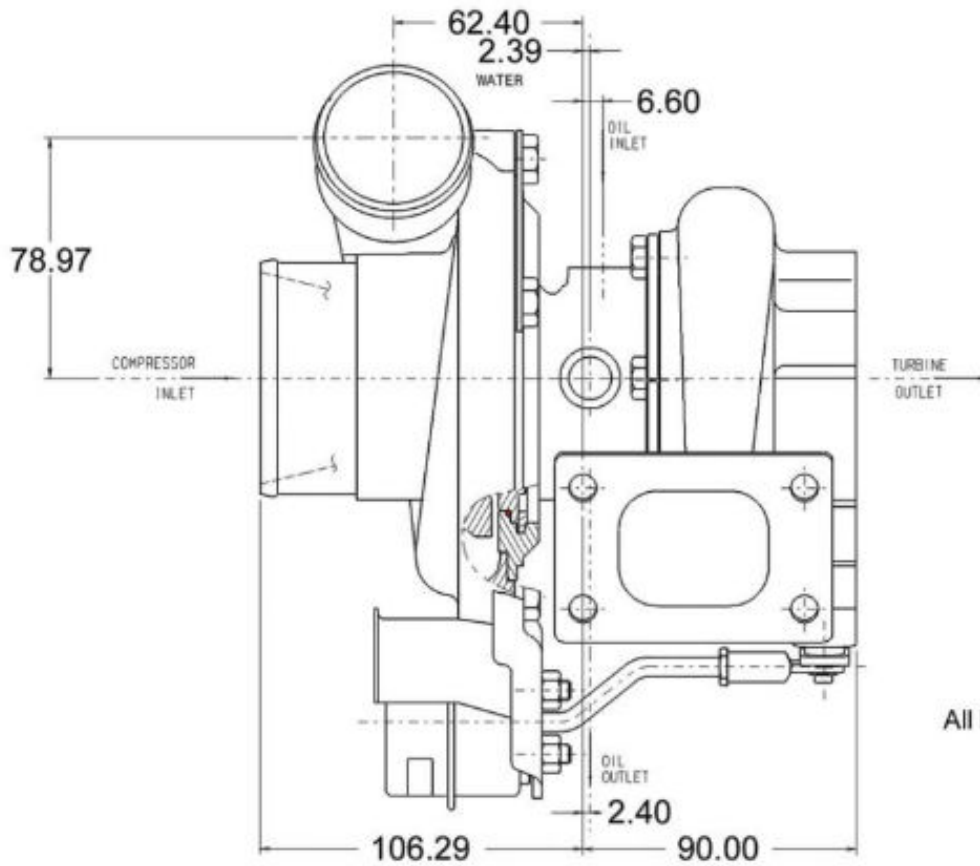
11 Turbine Outlet
"5 BOLT"



18 Oil Outlet



13 Water
M14 x 1.50



All Measurements in MM

GT3071R Turbocharger

Horsepower: 280 - 480 | Displacement: 2.5L - 3.5L

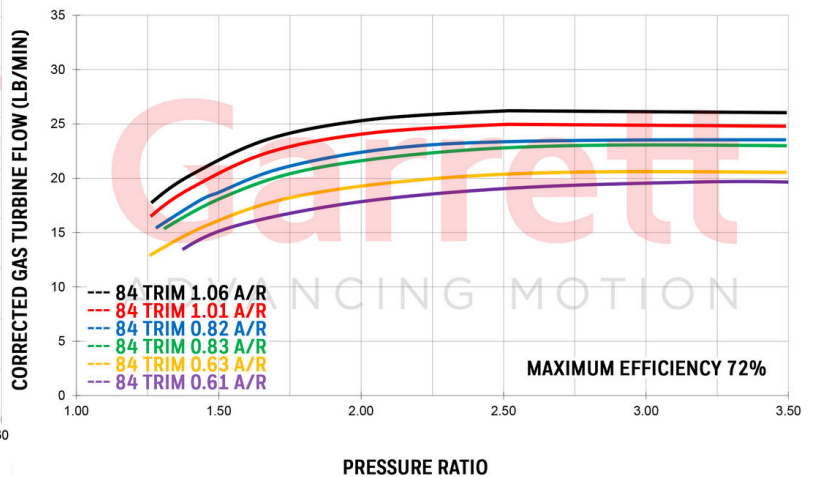
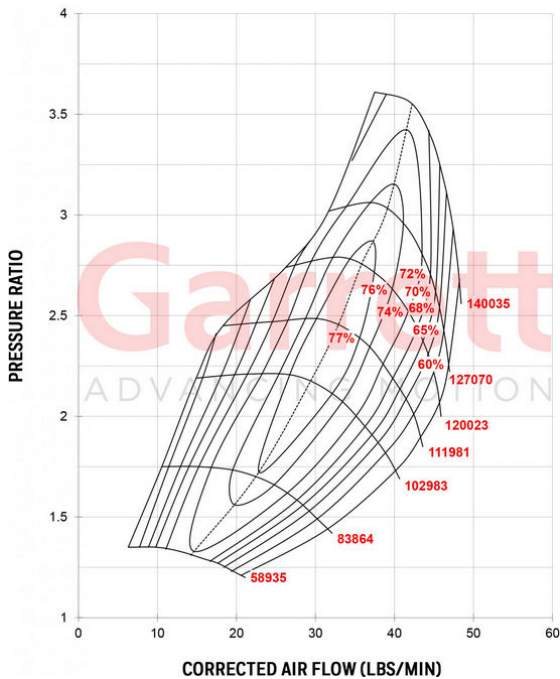


Features

- ORIGINAL GT SERIES AERODYNAMICS
- INTERNALLY WASTEGATED TURBINE HOUSING
- NON WASTEGATED TURBINE HOUSINGS AVAILABLE
- BALL BEARING CONFIGURATION WITH WATER COOLED CHRA
- V-BAND TURBINE HOUSING OPTIONS

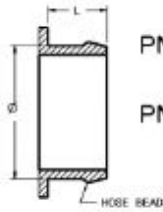
Turbocharger Part Number Chart

Super Core Reference Data		Compressor				Turbine		
Super Core PN	CHRA PN	Inducer	Exducer	Trim	A/R	Inducer	Exducer	Trim
836028-5001S	836000-0002	53mm	71mm	56	0.50	60mm	55mm	84
836028-5002S	836000-0002	53mm	71mm	56	0.50	60mm	55mm	84
836028-5004S	836000-0001	53mm	71mm	56	0.50	60mm	55mm	84
836028-5005S	836000-0001	53mm	71mm	56	0.50	60mm	55mm	84
Notes:		Turbine Kit PN	A/R	Inlet	Outlet	Wastegate	Divided	Trim
Super Core and Turbine Kit Sold Separately		740902-0009	0.63	T3	V-Band	Free Float	N	84
		740902-0008	0.82	T3	V-Band	Free Float	N	84
		740902-0007	1.06	T3	V-Band	Free Float	N	84
		740902-0036	0.61	V-Band	V-Band	Free Float	N	84
		740902-0035	0.83	V-Band	V-Band	Free Float	N	84
		740902-0034	1.01	V-Band	V-Band	Free Float	N	84
Wastegated Turbine Assembly does not include bolts, clamps, or actuator		Turbine Asbly PN	A/R	Inlet	Outlet	Wastegate	Divided	Trim
		771300-0006	0.63	T3	5 bolt	Wastegated	N	84
		771300-0005	0.82	T3	5 bolt	Wastegated	N	84
		771300-0004	1.06	T3	5 bolt	Wastegated	N	84



Compressor Inlet

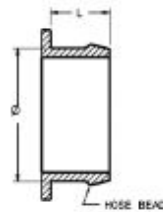
HOSE CONNECTIONS
TABULATED AS (Ø x L)



PN756021-1
Ø 69.85 x 31.75
PN756021-2
Ø 102 x 31.75

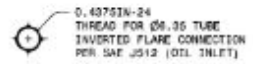
Compressor Outlet

HOSE CONNECTIONS
TABULATED AS (Ø x L)



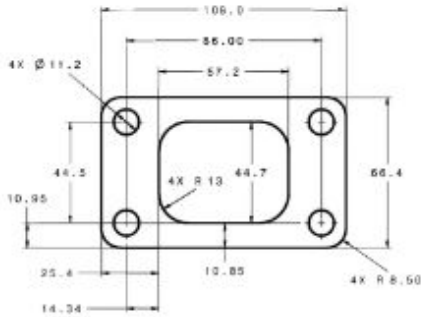
Ø 50.8 x 30

Oil Inlet



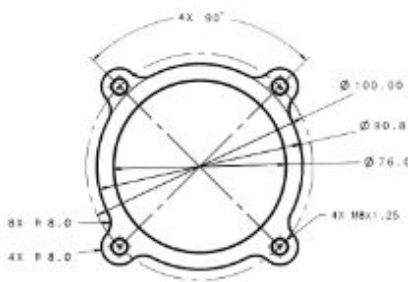
Turbine Inlet

T3 PN74902-1, 2, 3, 7, 8, 9

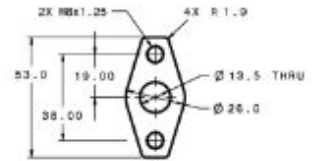


Turbine Outlet

3-INCH 4 BOLT PN740902-1, 2, 3



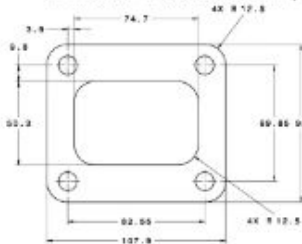
Oil Outlet



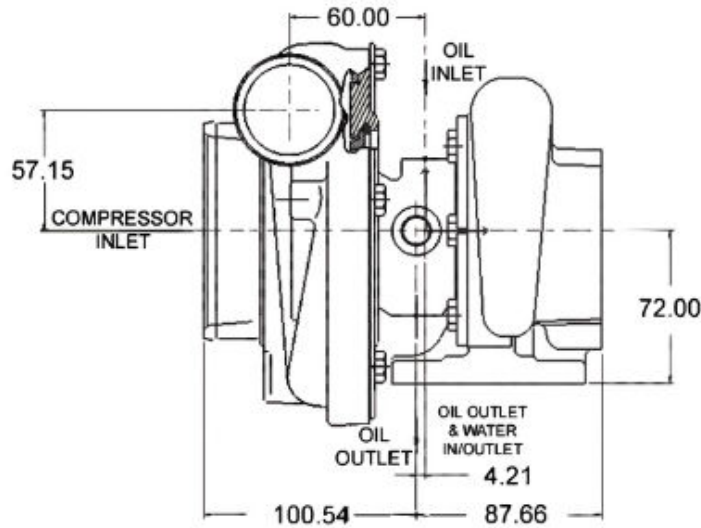
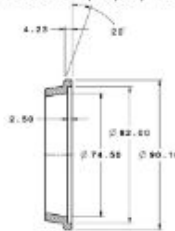
Water

M14 x 1.50

T4 UNDIVIDED PN740902-13, 14, 15



PN740902-7, 8, 9, 13, 14, 15



All Measurements in MM

GT3076R Turbocharger

Horsepower: 310 - 525 | Displacement: 2.0L - 3.5L

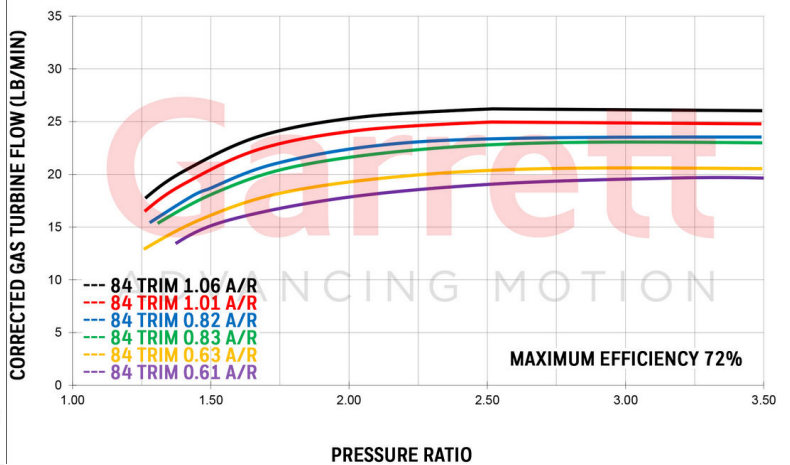
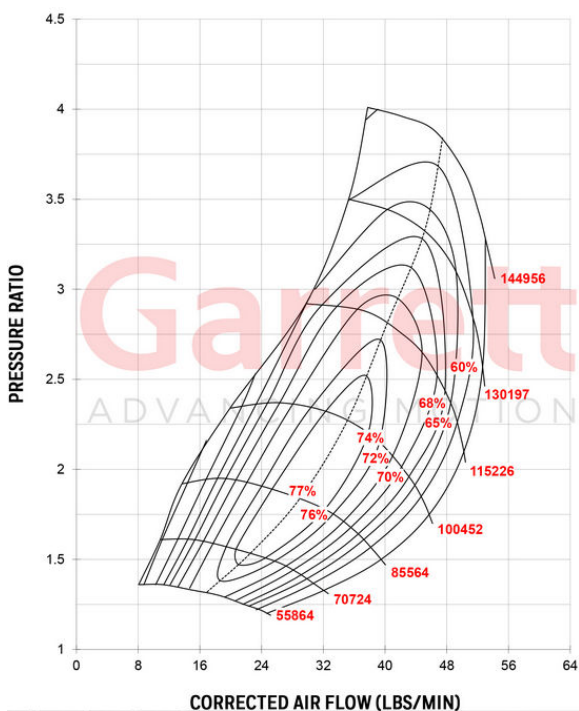


Features

- ORIGINAL GT SERIES AERODYNAMICS
- INTERNALLY WASTEGATED TURBINE HOUSING
- NON WASTEGATED TURBINE HOUSINGS AVAILABLE
- BALL BEARING CONFIGURATION WITH WATER COOLED CHRA
- V-BAND TURBINE HOUSING OPTIONS

Turbocharger Part Number Chart

Super Core Reference Data		Compressor				Turbine		
Super Core PN	CHRA PN	Inducer	Exducer	Trim	A/R	Inducer	Exducer	Trim
836028-5003S	836000-0003	57mm	76mm	56	0.60	60mm	55mm	84
Notes:		Turbine Kit PN	A/R	Inlet	Outlet	Wastegate	Divided	Trim
Super Core and Turbine Kit Sold Separately		740902-0009	0.63	T3	V-Band	Free Float	N	84
		740902-0008	0.82	T3	V-Band	Free Float	N	84
		740902-0007	1.06	T3	V-Band	Free Float	N	84
		740902-0036	0.61	V-Band	V-Band	Free Float	N	84
		740902-0035	0.83	V-Band	V-Band	Free Float	N	84
		740902-0034	1.01	V-Band	V-Band	Free Float	N	84
Wastegated Turbine Assembly does not include bolts, clamps, or actuator		Turbine Asbly PN	A/R	Inlet	Outlet	Wastegate	Divided	Trim
		771300-0006	0.63	T3	5 bolt	Wastegated	N	84
		771300-0005	0.82	T3	5 bolt	Wastegated	N	84
		771300-0004	1.06	T3	5 bolt	Wastegated	N	84

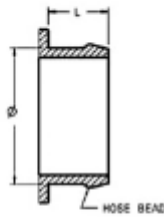


Garrett

ADVANCING MOTION

Compressor Inlet

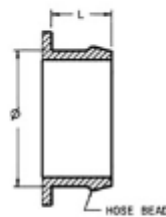
HOSE CONNECTIONS
TABULATED AS (Ø x L)



Ø 103.6 x 31.75

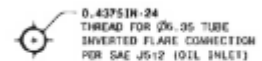
Compressor Outlet

HOSE CONNECTIONS
TABULATED AS (Ø x L)



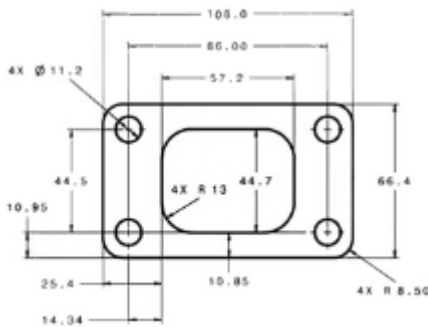
Ø 50.8 x 30

Oil Inlet



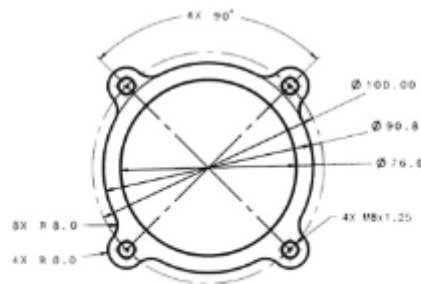
Turbine Inlet

13 PN74902-1, 2, 3, 7, 8, 9

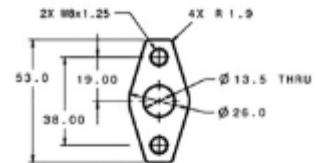


Turbine Outlet

3-INCH 4 BOLT PN740902-1, 2, 3



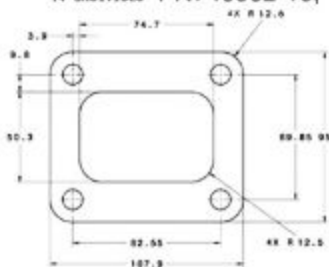
Oil Outlet



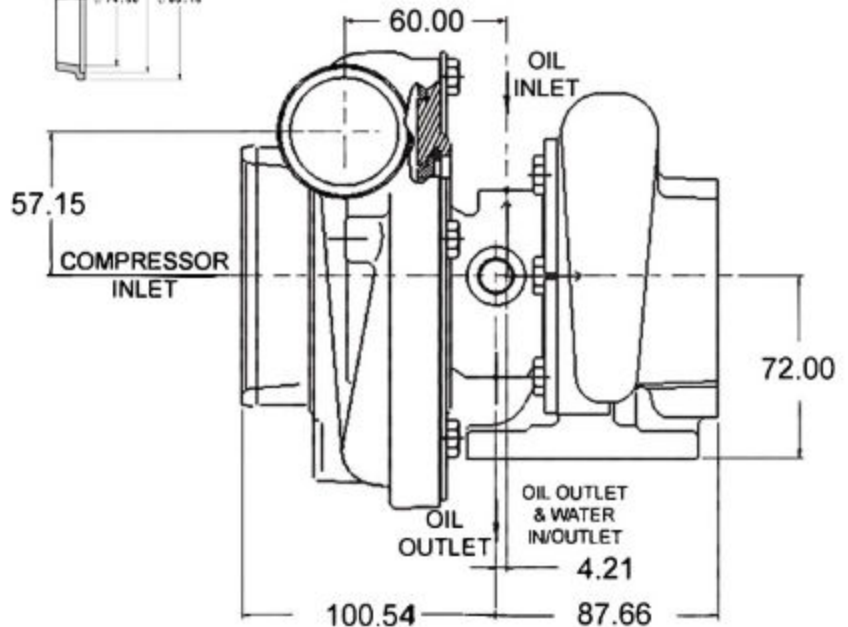
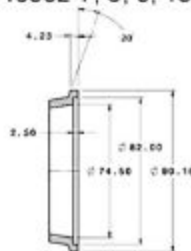
Water

M14 x 1.50

14 UNDIVIDED PN740902-13, 14, 15



PN740902-7, 8, 9, 13, 14, 15



All Measurements in MM

GT3582R Turbocharger

Horsepower: 400 - 675 | Displacement: 2.0L - 4.5L

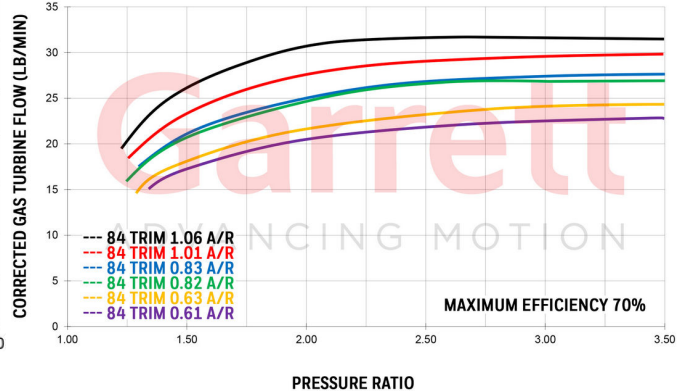
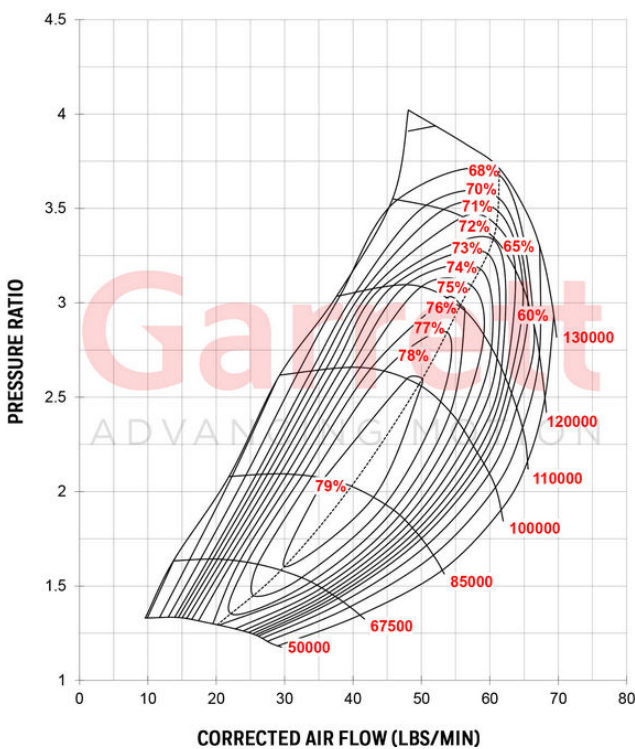


Features

- ORIGINAL GT SERIES AERODYNAMICS
- INTERNALLY WASTEGATED TURBINE HOUSING
- NON WASTEGATED TURBINE HOUSINGS AVAILABLE
- BALL BEARING CONFIGURATION WITH WATER COOLED CHRA
- V-BAND TURBINE HOUSING OPTIONS

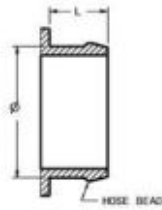
Turbocharger Part Number Chart

Super Core Reference Data		Compressor				Turbine		
Super Core PN	CHRA PN	Inducer	Exducer	Trim	A/R	Inducer	Exducer	Trim
836033-5002S	836005-0003	61mm	82mm	56	0.70	68mm	62mm	84
Notes:		Turbine Kit PN	A/R	Inlet	Outlet	Wastegate	Divided	Trim
Super Core and Turbine Kit Sold Separately		740902-0012	0.63	T3	V-Band	Free Float	N	84
		740902-0011	0.82	T3	V-Band	Free Float	N	84
		740902-0010	1.06	T3	V-Band	Free Float	N	84
		740902-0018	0.63	T4	V-Band	Free Float	N	84
		740902-0017	0.82	T4	V-Band	Free Float	N	84
		740902-0016	1.06	T4	V-Band	Free Float	N	84
		740902-0033	0.61	V-Band	V-Band	Free Float	N	84
		740902-0032	0.83	V-Band	V-Band	Free Float	N	84
		740902-0031	1.01	V-Band	V-Band	Free Float	N	84
Wastegated Turbine Assembly does not include bolts, clamps, or actuator		Turbine Asbly PN	A/R	Inlet	Outlet	Wastegate	Divided	Trim
		771300-0003	0.63	T2	5 Bolt	Wastegated	N	84
		771300-0002	0.82	T3	5 Bolt	Wastegated	N	84



33 Compressor Inlet

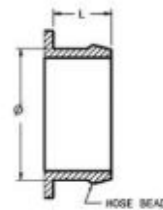
HOSE CONNECTIONS
TABULATED AS (ϕ x L)



ϕ 101.6 x 31.75

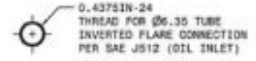
24 Compressor Outlet

HOSE CONNECTIONS
TABULATED AS (ϕ x L)



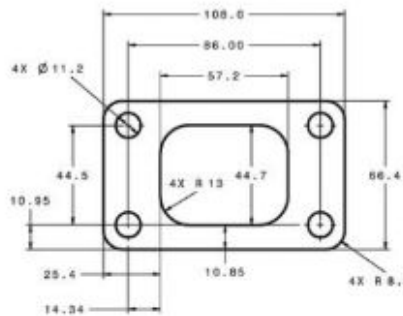
ϕ 63.5 x 30

11 Oil Inlet



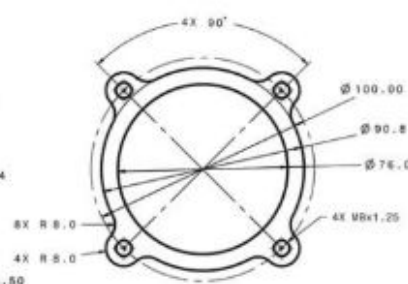
04 Turbine Inlet

T3 PN740902-4, 5, 6, 10, 11, 12

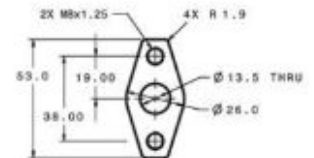


07 Turbine Outlet

3-INCH 4 BOLT PN740902-4, 5, 6



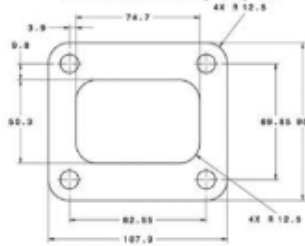
18 Oil Outlet



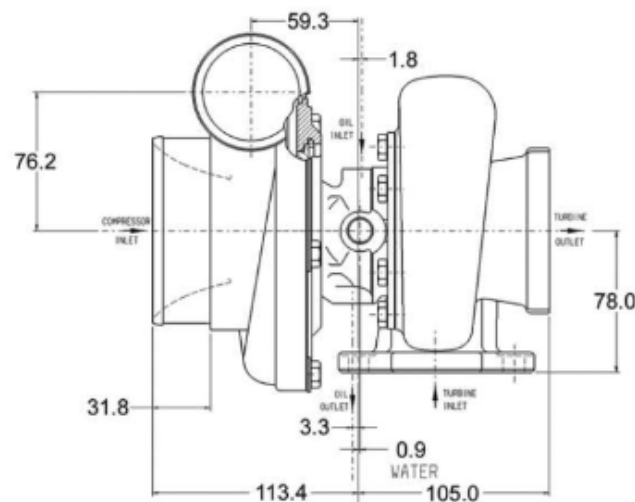
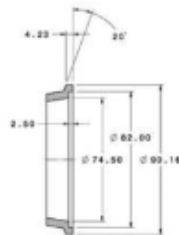
13 Water

M14 x 1.50

T4 UNDIVIDED PN740902-16, 17, 18



PN740902-10, 11, 12, 13, 14, 15, 16



All Measurements in MM

GTW3476R Turbocharger

Horsepower: 450 - 700 | Displacement: 2.0L - 4.5L



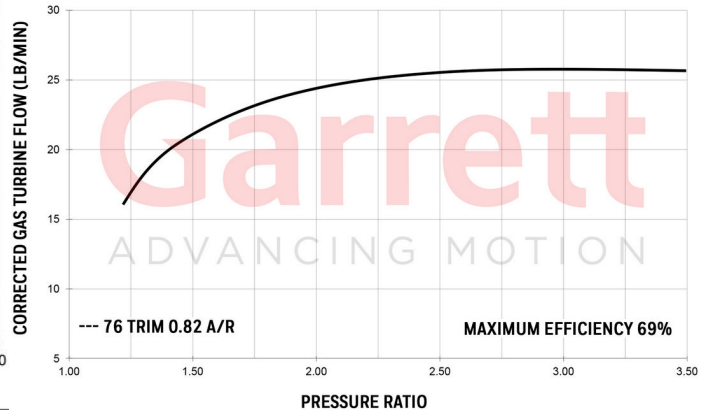
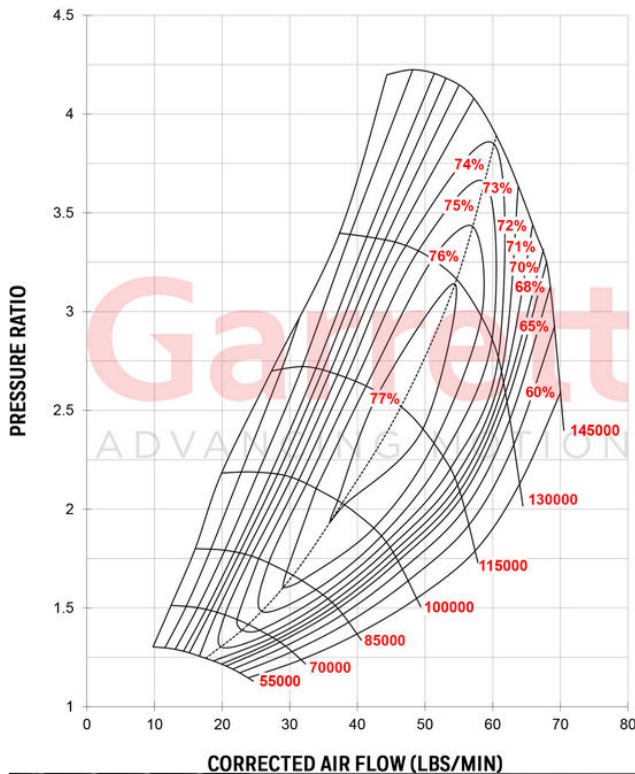
Features

- PORTED SHROUD DESIGN FOR SURGE RESISTANCE
- AVAILABLE IN BOTH JOURNAL BEARING AND BALL BEARING OPTIONS
- FORGED FULLY-MACHINED BILLET COMPRESSOR WHEEL
- LIGHTWEIGHT ALUMINUM BACKPLATE
- INCONEL SUPER-ALLOY TURBINE WHEEL

Turbocharger Part Number Chart

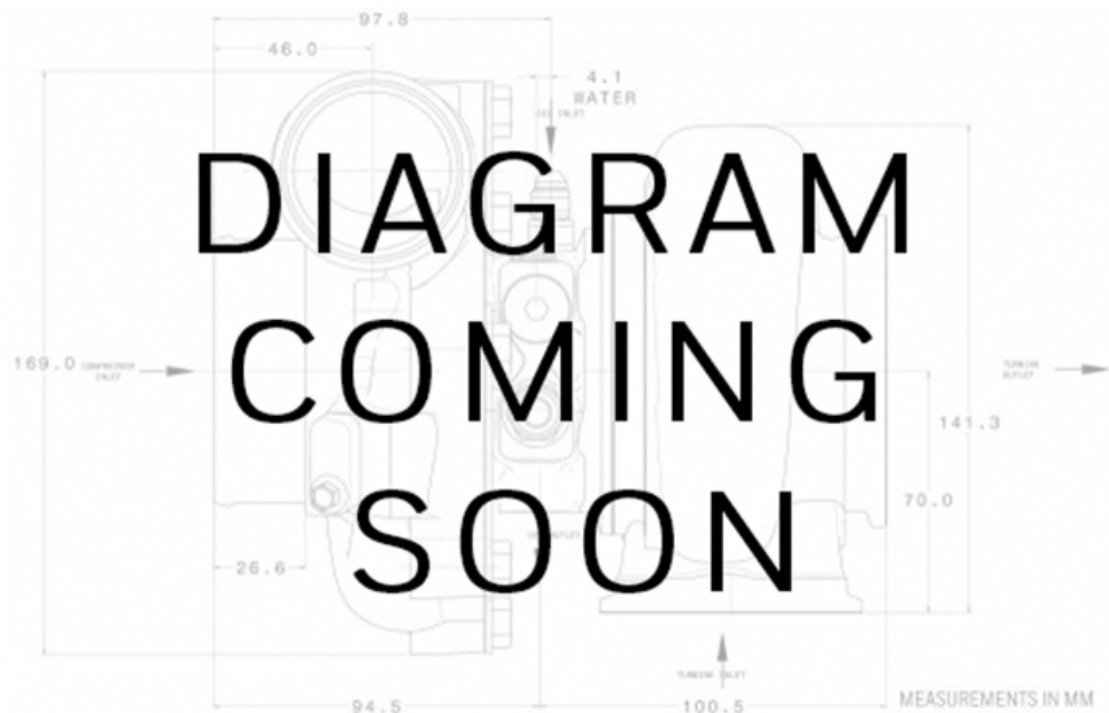
Super Core Reference Data		Compressor				Turbine		
Super Core PN	CHRA PN	Inducer	Exducer	Trim	A/R	Inducer	Exducer	Trim
841297-5001S	715582-0005	58mm	76mm	58	0.70	65mm	57mm	76
841691-5001S	757197-0009	58mm	76mm	58	0.70	65mm	57mm	76
Notes:		Turbine Kit PN	A/R	Inlet	Outlet	Wastegate	Divided	Trim
Super Core and Turbine Kit Sold Separately		844669-0001	0.48	T3	4-Bolt	Free Float	N	76
		844669-0002	0.63	T3	4-Bolt	Free Float	N	76
		844669-0003	0.82	T3	4-Bolt	Free Float	N	76

*841297 Journal Bearing Option
*841691 Water Cooled CHRA



Garrett

ADVANCING MOTION



GTW3684R Turbocharger

Horsepower: 425 - 750 | Displacement: 2.0L - 5.3L



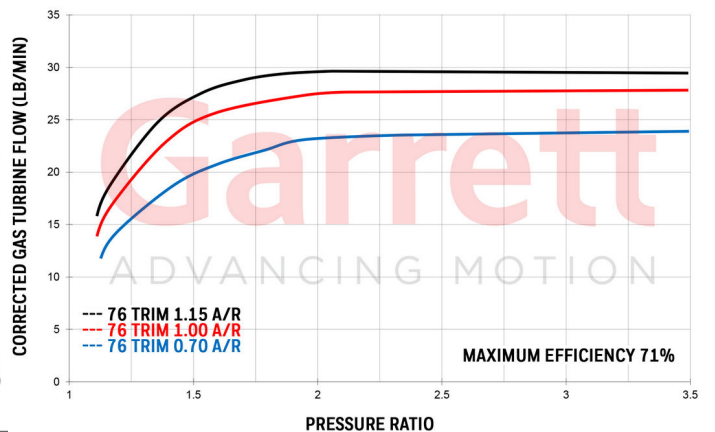
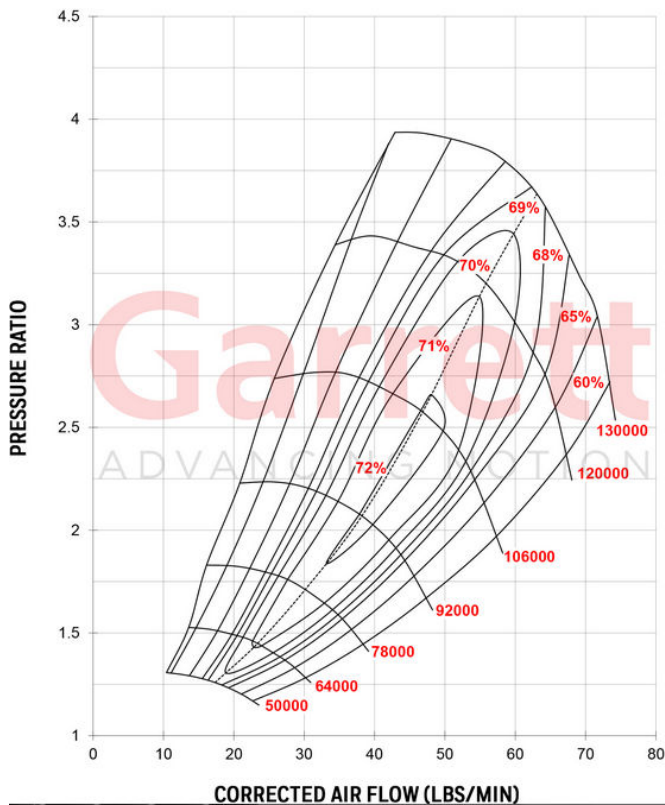
Features

- PORTED SHROUD DESIGN FOR SURGE RESISTANCE
- AVAILABLE IN BOTH JOURNAL BEARING AND BALL BEARING OPTIONS
- FORGED FULLY-MACHINED BILLET COMPRESSOR WHEEL
- TURBINE HOUSINGS AVAILABLE IN DIVIDED CONFIGURATION
- LIGHTWEIGHT ALUMINUM BACKPLATE

Turbocharger Part Number Chart

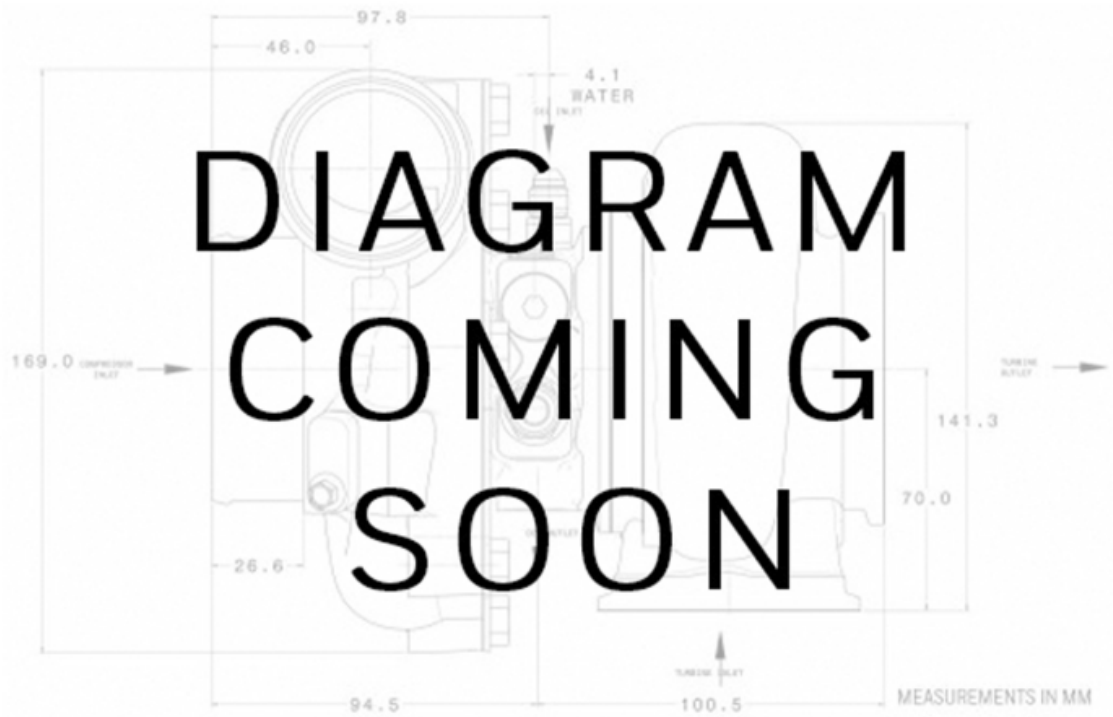
Super Core Reference Data		Compressor				Turbine		
Super Core PN	CHRA PN	Inducer	Exducer	Trim	A/R	Inducer	Exducer	Trim
841297-5002S	715582-0007	62mm	84mm	54	0.70	71mm	62mm	76
841691-5002S	757197-0011	62mm	84mm	54	0.70	71mm	62mm	76
Notes:		Turbine Kit PN	A/R	Inlet	Outlet	Wastegate	Divided	Trim
Super Core and Turbine Kit Sold Separately		844669-0005	0.70	T4	V-Band	Free Float	Y	76
		844669-0006	1.00	T4	V-Band	Free Float	Y	76
		844669-0007	1.15	T4	V-Band	Free Float	Y	76

*841297 Journal Bearing Option
*841691 Water Cooled CHRA



Garrett

ADVANCING MOTION



GTW3884R Turbocharger

Horsepower: 450 - 950 | Displacement: 2.0L - 6.0L



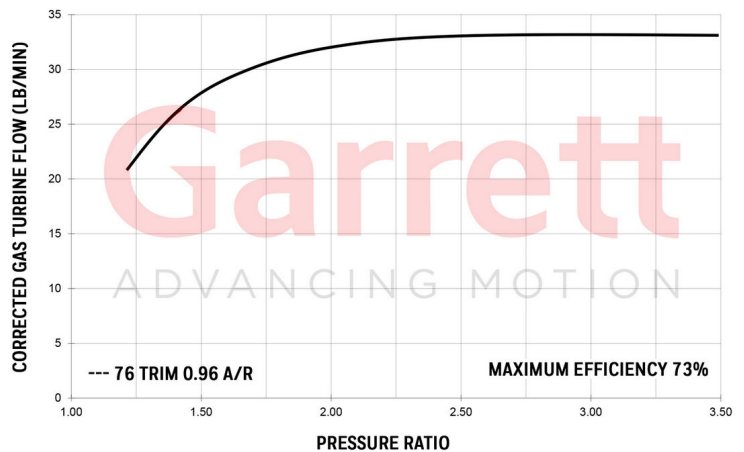
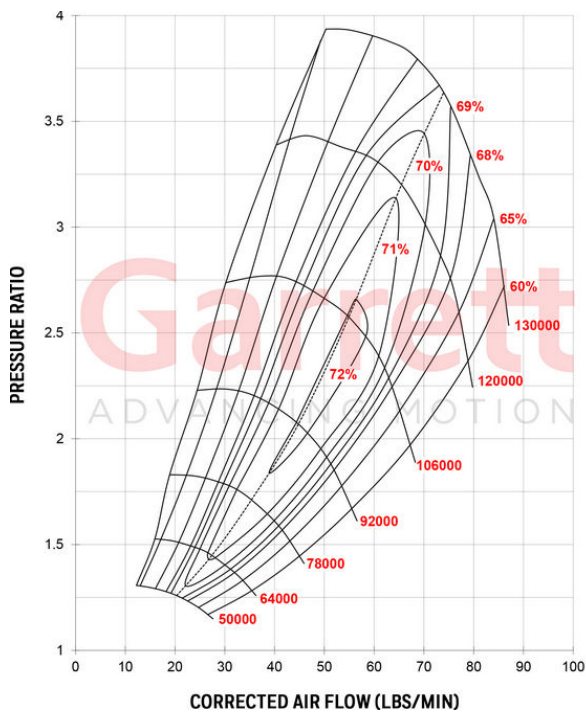
Features

- PORTED SHROUD DESIGN FOR SURGE RESISTANCE
- AVAILABLE IN BOTH JOURNAL BEARING AND BALL BEARING OPTIONS
- FORGED FULLY-MACHINED BILLET COMPRESSOR WHEEL
- INCONEL SUPER-ALLOY TURBINE WHEEL
- LIGHTWEIGHT ALUMINUM BACKPLATE

Turbocharger Part Number Chart

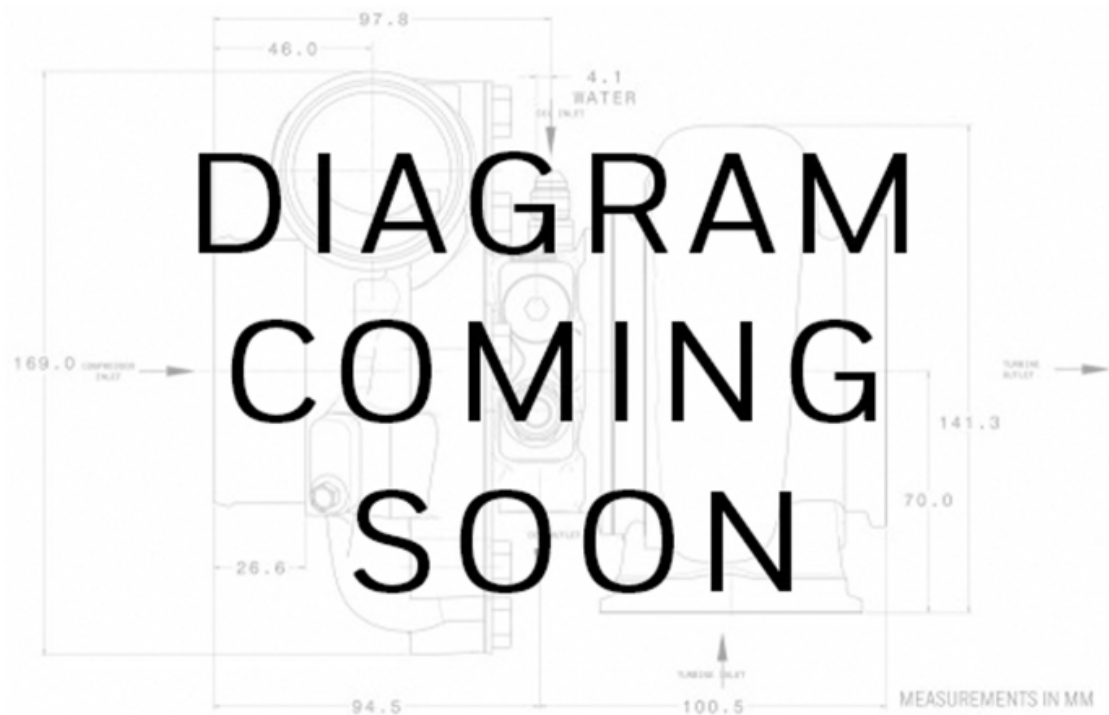
Super Core Reference Data		Compressor				Turbine		
Super Core PN	CHRA PN	Inducer	Exducer	Trim	A/R	Inducer	Exducer	Trim
841297-5003S	715582-0008	62mm	84mm	54	0.70	74mm	65mm	76
841297-5004S	715582-0009	64mm	84mm	58	0.70	74mm	65mm	76
841297-5005S	715582-0010	67mm	84mm	64	0.70	74mm	65mm	76
841691-5003S	757197-0012	62mm	84mm	54	0.70	74mm	65mm	76
841691-5004S	757197-0013	64mm	84mm	58	0.70	74mm	65mm	76
841691-5005S	757197-0014	67mm	84mm	64	0.70	74mm	65mm	76
Notes:		Turbine Kit PN	A/R	Inlet	Outlet	Wastegate	Divided	Trim
Super Core and Turbine Kit Sold Separately		844669-0009	0.96	T4	V-Band	Free Float	N	76
		844669-0010	1.14	T4	V-Band	Free Float	N	76

*841297 Journal Bearing Option
*841691 Water Cooled CHRA



Garrett

ADVANCING MOTION



GTX2860R GEN II Turbocharger

Horsepower: 200 - 475 | Displacement: 1.4L - 2.5L

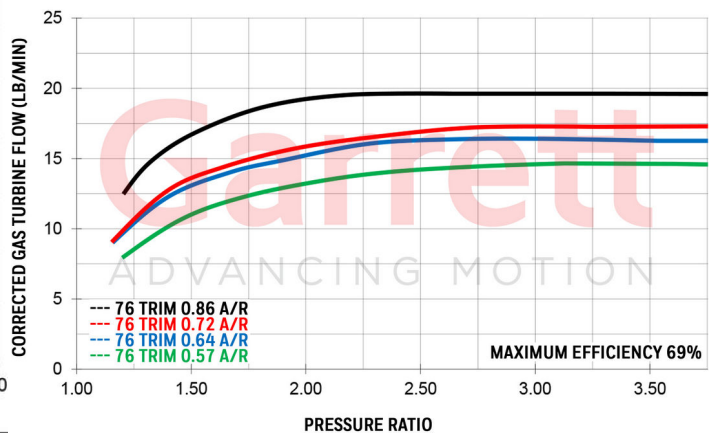
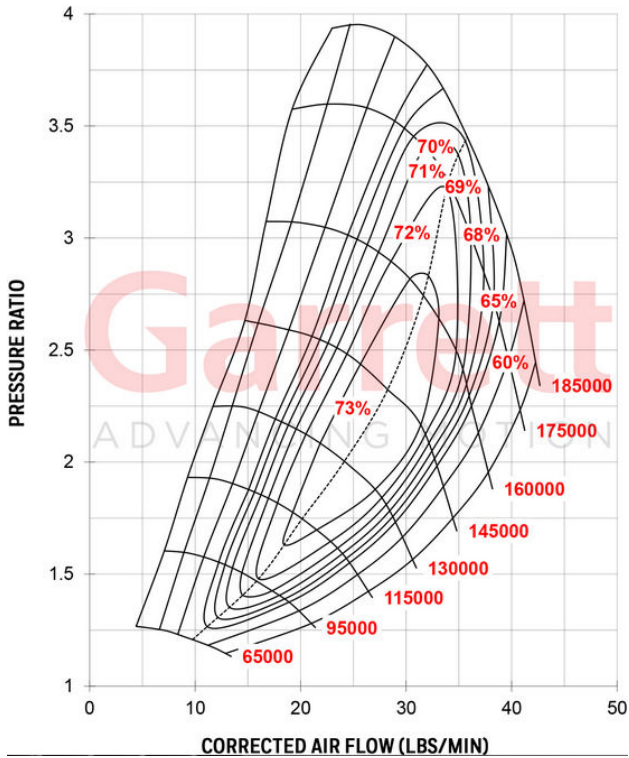


Features

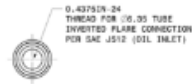
- GEN 2 AERODYNAMICS FEATURE INCREASED HORSEPOWER RANGE
- IMPROVED PORTED SHROUD DESIGN FOR SURGE RESISTANCE
- NEW FULLY MACHINED SPEED SENSOR PORT.
- SOLD AS ASSEMBLY KITS (SUPER CORE + TURBINE HSG)

Turbocharger Part Number Chart

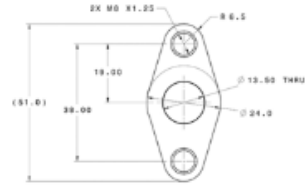
Super Core Reference Data		Compressor				Turbine		
		Inducer	Exducer	Trim	A/R	Inducer	Exducer	Trim
GTX2860R		46mm	60mm	58	0.60	54mm	47mm	76
Notes:	Assembly Kit PN	Super Core PN	Turbine Kit PN	A/R	Inlet	Outlet	Wastegate	Divided
Assembly Kit PN Includes Super Core and Turbine Kit	856800-5003S	849894-5001S	827690-0003	0.64	T25	5 bolt	Wastegated	N
	856800-5004S	849894-5001S	827690-0004	0.86	T25	5 bolt	Wastegated	N
	856800-5001S	849894-5001S	827690-0001	0.57	V-Band	V-Band	Free Float	N
	856800-5002S	849894-5001S	827690-0002	0.72	V-Band	V-Band	Free Float	N



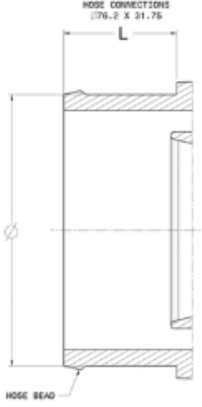
OIL INLET



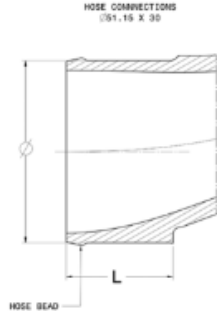
OIL OUTLET



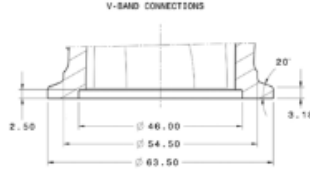
COMPRESSOR INLET



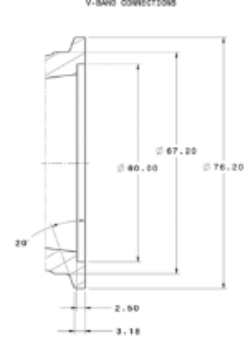
COMPRESSOR OUTLET



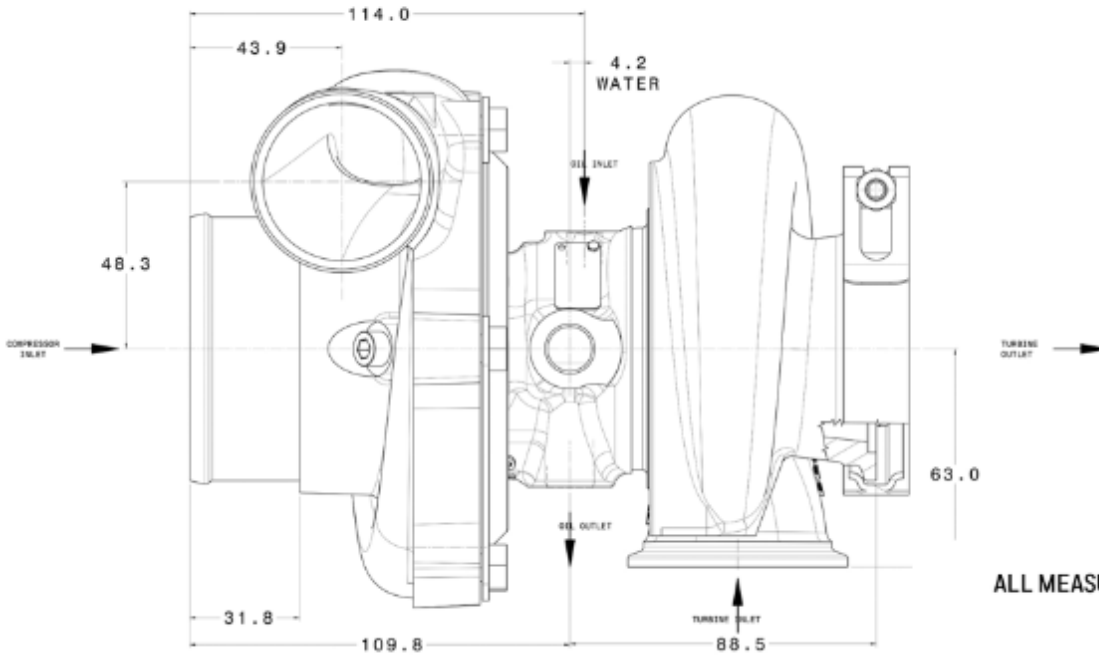
TURBINE INLET



TURBINE OUTLET



WATER
M14 X 1.50



GTX2867R GEN II Turbocharger

Horsepower: 275 - 550 | Displacement: 1.4L - 2.5L

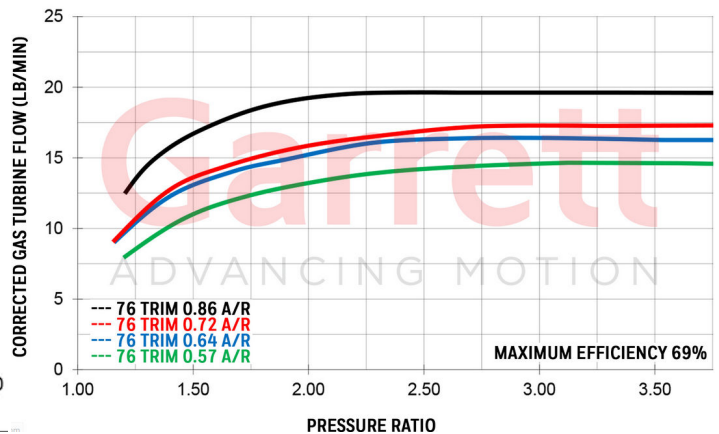
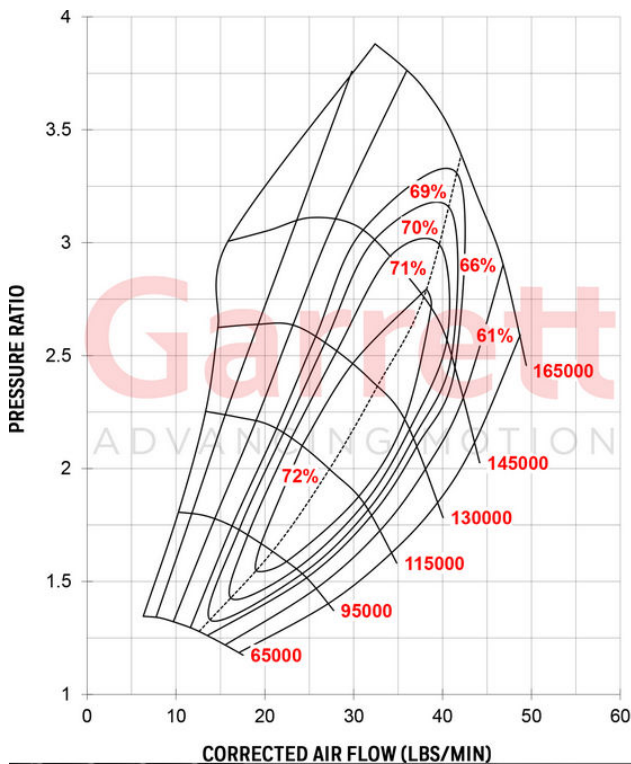


Features

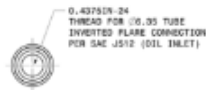
- GEN 2 AERODYNAMICS FEATURE INCREASED HORSEPOWER RANGE
- IMPROVED PORTED SHROUD DESIGN FOR SURGE RESISTANCE
- NEW FULLY MACHINED SPEED SENSOR PORT.
- SOLD AS ASSEMBLY KITS (SUPER CORE + TURBINE HSG)

Turbocharger Part Number Chart

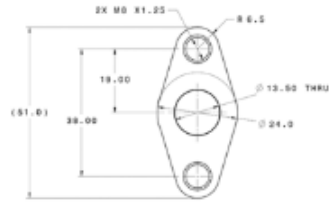
Super Core Reference Data		Compressor				Turbine		
		Inducer	Exducer	Trim	A/R	Inducer	Exducer	Trim
GTX2867R		50mm	67mm	55	0.60	54mm	47mm	76
Notes:	Assembly KIT PN	Super Core PN	Turbine Kit PN	A/R	Inlet	Outlet	Wastegate	Divided
Assembly Kit PN Includes Super Core and Turbine Kit								
	856800-5007S	849894-5002S	827690-0003	0.64	T25	5 bolt	Wastegated	N
	856800-5008S	849894-5002S	827690-0004	0.86	T25	5 bolt	Wastegated	N
	856800-5005S	849894-5002S	827690-0001	0.57	V-Band	V-Band	Free Float	N
	856800-5006S	849894-5002S	827690-0002	0.72	V-Band	V-Band	Free Float	N



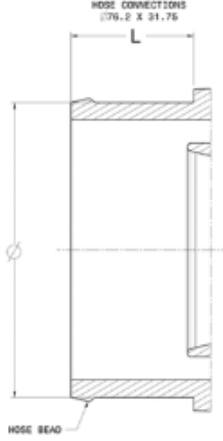
OIL INLET



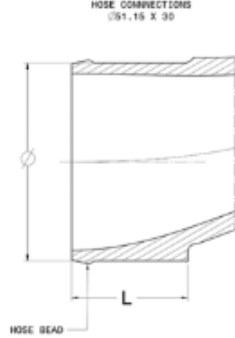
OIL OUTLET



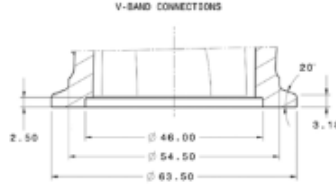
COMPRESSOR INLET



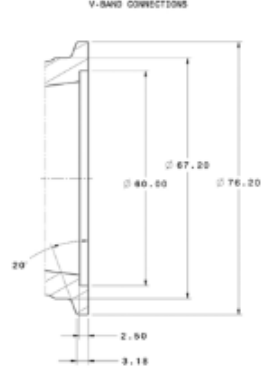
COMPRESSOR OUTLET



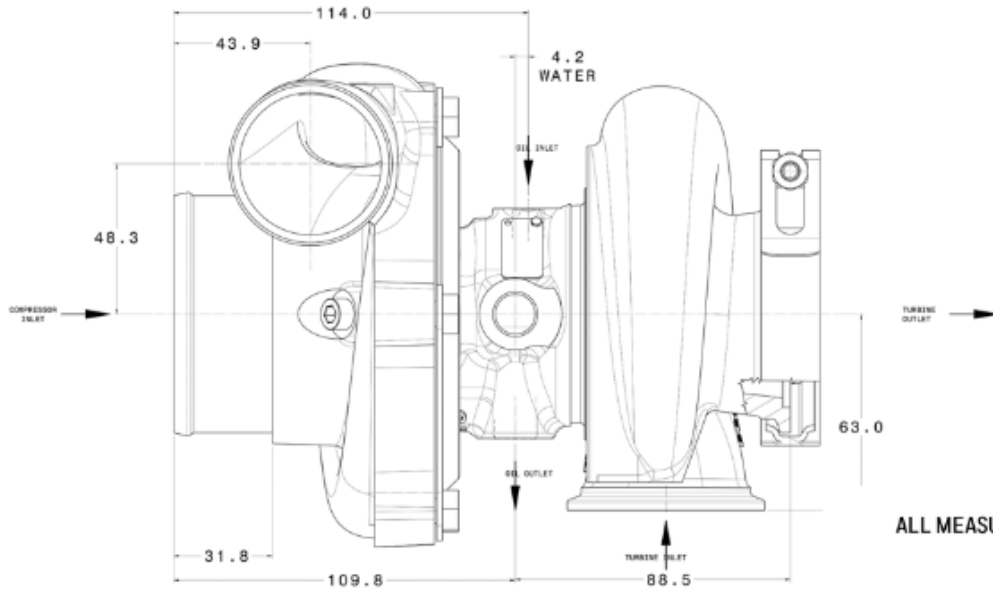
TURBINE INLET



TURBINE OUTLET



WATER
M14 X 1.50



ALL MEASUREMENTS IN MM

GTX2967R Turbocharger

Horsepower: 275 - 470 | Displacement: 1.8L - 3.0L

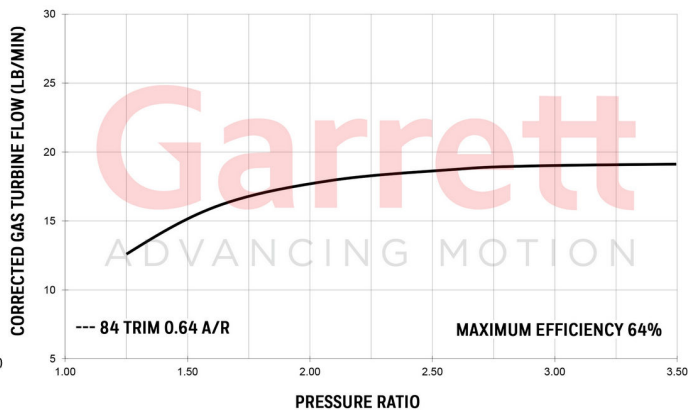
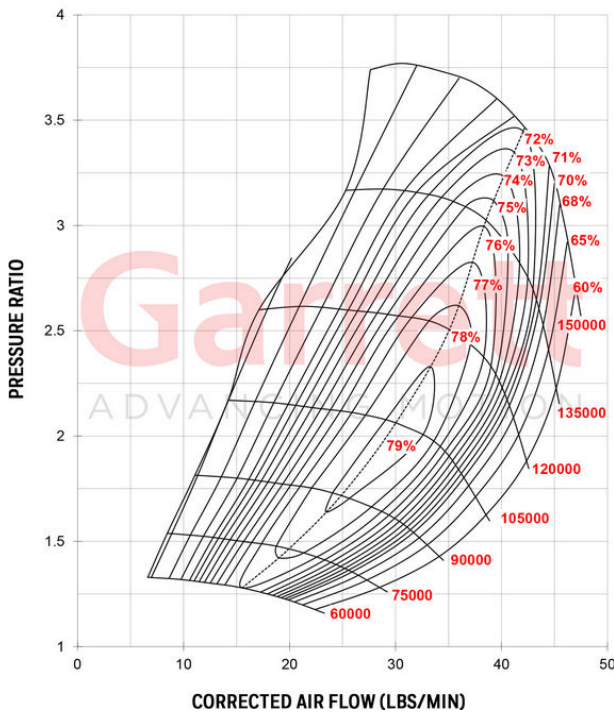


Features

FEATURES ORIGINAL GTX COMP WHEEL AERODYNAMICS
SUPER CORE AND TURBINE KIT SOLD SEPARATELY

Turbocharger Part Number Chart

Super Core Reference Data		Compressor				Turbine		
Super Core PN	CHRA PN	Inducer	Exducer	Trim	A/R	Inducer	Exducer	Trim
836041-500IS	836013-0001	50mm	67mm	55	0.60	57mm	52mm	84
Notes:		Turbine Kit PN	A/R	Inlet	Outlet	Wastegate	Divided	Trim
Super Core and Turbine Kit Sold Separately		827690-0006	0.64	T25	5-Bolt	Wastegated	N	84
		740902-0048	0.61	V-Band	V-band	Free Float	N	84
		740902-0047	0.83	V-Band	V-band	Free Float	N	84
		740902-0046	1.01	V-Band	V-band	Free Float	N	84



Garrett

ADVANCING MOTION



GTX2971R Turbocharger

Horsepower: 340 - 560 | Displacement: 1.8L - 3.0L



Features

FEATURES ORIGINAL GTX COMP WHEEL AERODYNAMICS
 SUPER CORE AND TURBINE KIT SOLD SEPARATELY
 AVAILABLE IN 84 AND 90 TRIM TURBINE OPTIONS

Turbocharger Part Number Chart

Super Core Reference Data		Compressor				Turbine		
Super Core PN	CHRA PN	Inducer	Exducer	Trim	A/R	Inducer	Exducer	Trim
836041-5002S	836013-0002	54mm	71mm	58	0.60	57mm	52mm	84
836041-5003S	836013-0003	54mm	71mm	58	0.60	57mm	54mm	90
Notes:		Turbine Kit PN	A/R	Inlet	Outlet	Wastegate	Divided	Trim
Super Core and Turbine Kit Sold Separately		827690-0006	0.64	T25	5-Bolt	Wastegated	N	84
		827690-0007	0.86	T25	5-Bolt	Wastegated	N	90
		740902-0048	0.61	V-Band	V-band	Free Float	N	84
		740902-0051	0.61	V-Band	V-band	Free Float	N	90
		740902-0047	0.83	V-Band	V-band	Free Float	N	84
		740902-0050	0.83	V-Band	V-band	Free Float	N	90
		740902-0046	1.01	V-Band	V-band	Free Float	N	84
		740902-0049	1.01	V-Band	V-band	Free Float	N	90

